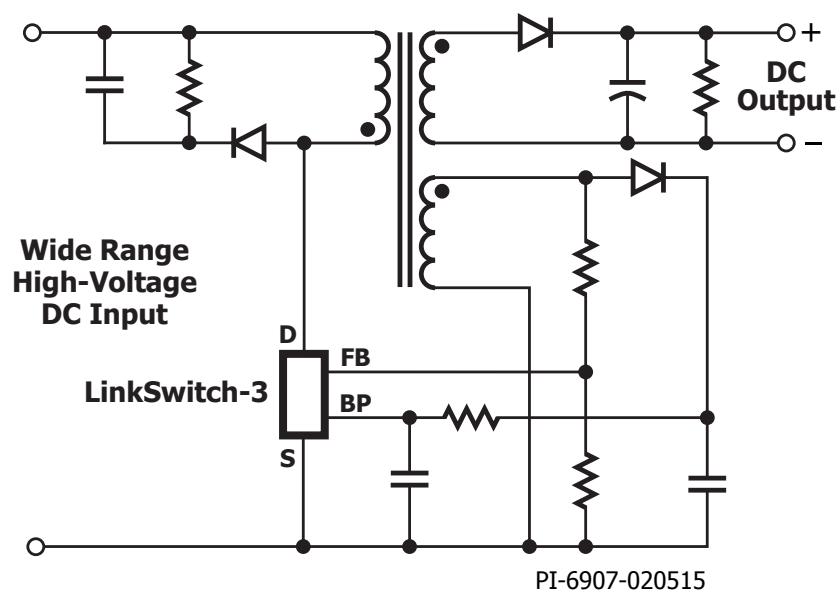


LinkSwitch™ -3

- Isolated and non-isolated flyback conversion
- CV/CC output
- Accurate primary-side regulation - eliminates optocouplers
- 725 V integrated MOSFET

Energy-Efficient, Accurate Primary-Side Regulation CV/CC Switcher



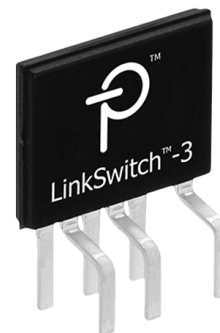
Applications

- Chargers for cell/cordless phones, portable audio devices, adapters, and auxiliary power supplies

Output Power

90-264 VAC, D (SO-8C) Package		
Part Number	Adapter (W)	Open Frame (W)
LNK6404D / LNK6424D	3.5	4.1
LNK6405D / LNK6415D / LNK6425D	4.5	5.1
LNK6406D / LNK6416D / LNK6426D / LNK6436D / LNK6446D	5.5	6.1
LNK6407D / LNK6417D / LNK6427D	7.5	7.5

E (eSIP™-7C) and K (eSOP™-12B) Packages		
Part Number	Adapter (W)	Open Frame (W)
LNK6407K / LNK6417K / LNK6427K	8.5	9
LNK6408K / LNK6418K / LNK6428K / LNK6448K	10	10
LNK6408E / LNK6418E / LNK6428E / LNK6448E	10	10



SO-8C (D package), eSIP-7C (E package), eSOP-12B (K package)

Design Support

Data Sheet	LinkSwitch-3 data sheet (www.power.com/linkswitch-3-data-sheet)
Application Note	LinkSwitch-3 family design guide (AN-61) (www.power.com/an-61)
Design Example	8.4 W power supply using LinkSwitch-3 (RDR-734) (www.power.com/rdr-734)