

PFC Light Load Shutdown Circuit

■ Description

- ▶ A two-stage active power factor correction (PFC) plus DC/DC power converter with improved efficiency by deactivating PFC stage at low or no load condition
- ▶ Power loss is reduced at low or no-load by shutting off the control supply voltage to the PFC stage when a low or no load condition is sensed

■ Benefits

- ▶ Improves system efficiency at low or no load
- ▶ Reduces input power of approximately 70 mW for an output power of 250 mW

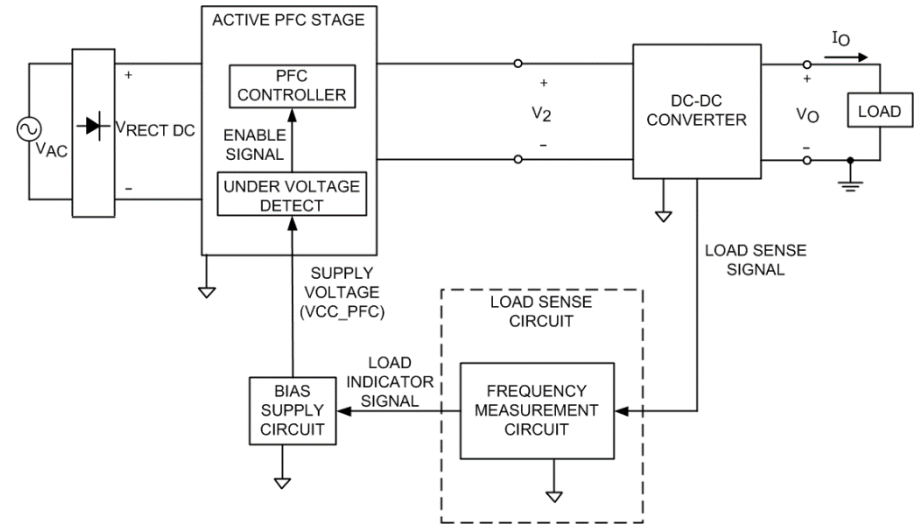


Figure 1. Light Load PFC Shutdown