

# Application Note AN-45

## LinkSwitch-CV Family

### Design Guide

#### Introduction

The LinkSwitch™-CV family is a highly integrated monolithic switching IC designed for off-line power supplies up to 17 W. Ideally suited for DVD player and Set-top box applications, LinkSwitch-CV provides constant voltage without using an optocoupler or secondary feedback circuitry. ON/OFF control optimizes efficiency across load and line, while meeting no-load and power supply efficiency standards.

Each member of the family has a high-voltage power MOSFET and its controller integrated onto the same die. Internal start-up bias current is drawn from a high-voltage current source connected to the DRAIN pin, eliminating the need for external start-up components. The internal oscillator is frequency modulated (jitter) to reduce EMI. In addition, the ICs have integrated functions that provide system-level protection. The auto-restart function limits the dissipation in the MOSFET, the transformer and the output diode during overload, output short-circuit and open-loop conditions, while the auto-recovering hysteretic thermal shutdown function disables MOSFET switching during a thermal fault. Power Integrations' EcoSmart™ technology enables supplies designed around the LinkSwitch-CV family members to consume <200 mW of no-load power at 230 VAC without an external bias circuit and down to below <70 mW with

a low cost bias circuit. This simplifies meeting harmonized energy efficiency standards.

#### Basic Circuit Configuration

The circuit shown in Figure 1 shows the basic configuration of a three output flyback power supply designed using LinkSwitch-CV. Because of its high level integration, LinkSwitch-CV leaves far fewer design issues to be addressed externally, resulting in one common circuit configuration for all applications. For example different output power levels may require different values for some circuit components, but the circuit configuration stays unchanged.

#### Scope

This application note is intended for engineers designing an isolated AC-DC flyback power supply using the LinkSwitch-CV family of devices. It provides guidelines to enable an engineer to quickly select key components and also complete a suitable transformer design. To simplify the task this application note refers directly to the PIXIs design spreadsheet that is part of the PI Expert™ design software suite. The basic configuration used in LinkSwitch-CV Flyback power supplies is shown in Figure 1.

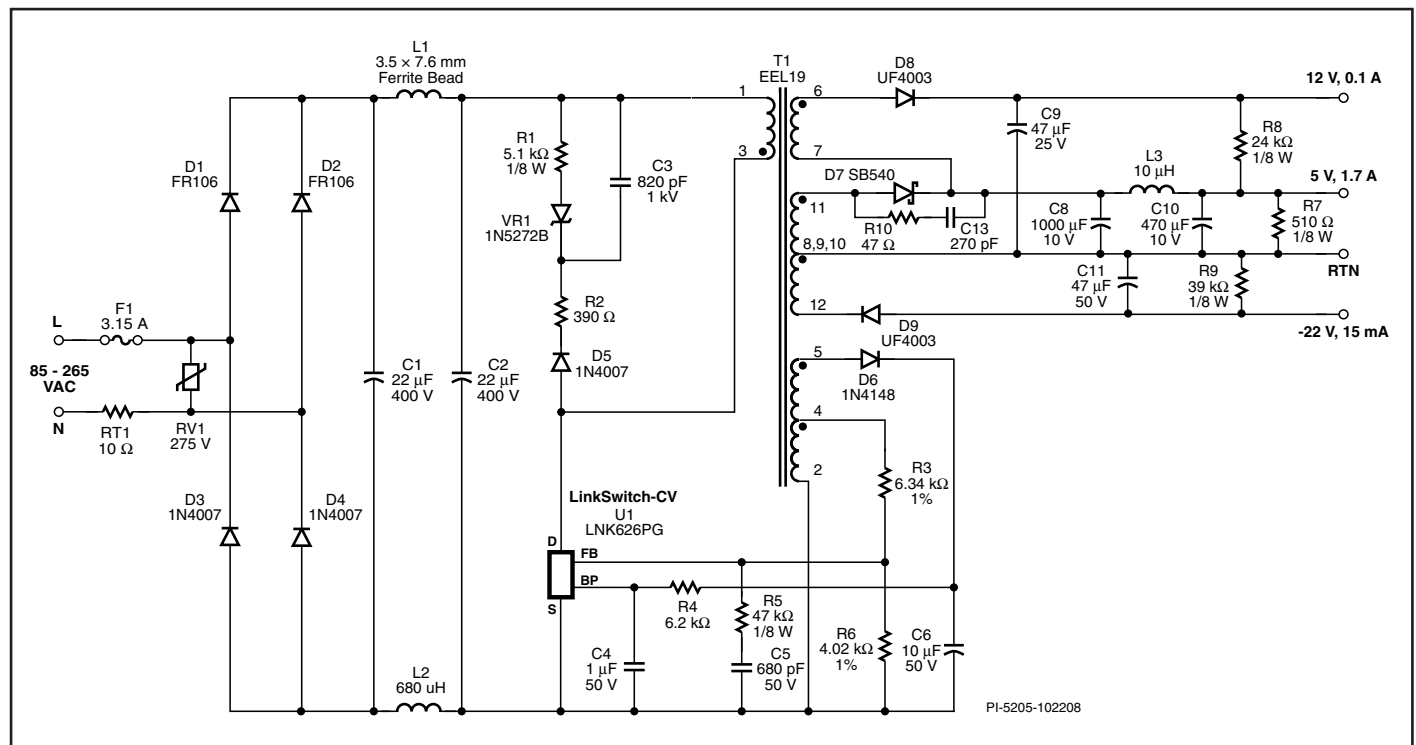


Figure 1. 7 W (10 W peak) Multiple Output Flyback Converter for DVD Applications with Primary Sensed Feedback.

In addition to this application note the reader may also find the LinkSwitch-CV Design Example Report (DER-198) containing the complete design and test data of the DVD power supply in Figure 1. Further details on downloading PI Expert and updates to this document can be found at [www.power.com](http://www.power.com).

**Quick Start**

Readers who want to start immediately can use the following information to quickly design the transformer and select the components for a first prototype. Only the information described below needs to be entered into the PIXIs spreadsheet, other parameters will be automatically selected based on a typical design. References to spreadsheet cell locations are provided in square brackets [cell reference].

- Enter AC input voltage range  $V_{AC\_MIN}$ ,  $V_{AC\_MAX}$  and minimum line frequency  $f_L$  [B3, B4, B5]
- Enter Nominal Output Voltage  $V_O$  [B6], for multiple outputs complete section shown in Figure 13
- Enter the output power value  $P_o$  [B7]
- Enter efficiency estimate [B8] using Table 1 as guidance

	Universal (85 – 265 VAC)	100/115 VAC (85 – 132 VAC)	230 VAC (185 – 265 VAC)
Single Output (5 V)	0.76	0.76	0.78
Single Output (12 V)	0.80	0.80	0.82
Multiple Output	0.66	0.66	0.68

Table 1. Initial Efficiency Estimates for a New Design.

Adjust the number accordingly after measuring the efficiency of the first prototype-board at peak load and  $V_{AC\_MIN}$ .

- Enter  $C_{IN}$  input capacitance [B11]
  - 3  $\mu$ F/W for universal (85-265 VAC) or single (100/115 VAC) line
  - Use 1  $\mu$ F/W single 230 VAC for single (195-265 VAC) line
  - Note: After selecting the LinkSwitch-CV device (the step below), if the computed duty cycle [D59] is greater than 54%, increase the input capacitance.
- Select LinkSwitch-CV device from the drop down list or enter directly [B15].
  - Use Table 2 for guidance, selecting a device based on output power, input voltage range and thermal environment (open frame or enclosed adapter).
- Enter  $V_{DS}$  [B22], the on-state drain-source voltage drop. Use 10 V if no better data available.
- Enter the output rectifier’s forward voltage drop  $V_D$  [B23]. Use 0.5 for Schottky and 0.7 for PN diode.
- Enter the core type from the drop down menu. If the desired core is not listed, then you may enter a core’s characteristics  $A_E$ ,  $L_E$  and  $A_L$  ([B31] [B32] [B33]). Enter the bobbin width BW [B34].
- If margin tape is desired, then enter the margin tape width in [B35]. Note: This will reduce the winding width by two times the margin tape’s width.
- Enter the number of primary layers L [B36]. The maximum recommended primary layers is 3.
- If necessary adjust the calculated number of secondary turns  $N_S$  [B37] to change the core flux density (BM). Increasing  $N_S$  will increase the primary turns and lower BM.

**Output Power Table**

Product <sup>3</sup>	230 VAC $\pm$ 15%		85-265 VAC	
	Adapter <sup>1</sup>	Peak or Open Frame <sup>2</sup>	Adapter <sup>1</sup>	Peak or Open Frame <sup>2</sup>
<b>LNK623PG/DG</b>	6.5 W	9 W	5.0 W	6 W
<b>LNK624PG/DG</b>	7 W	11 W	5.5 W	6.5 W
<b>LNK625PG/DG</b>	8 W	13.5 W	6.5 W	8 W
<b>LNK626PG</b>	10.5 W	17 W	8.5 W	10 W

Table 2. Output Power Table. Based on 5 V Output.

Notes:

1. Minimum continuous power in a typical non-ventilated enclosed adapter measured at +50 °C ambient.
2. Maximum practical continuous power in an open frame design with adequate heat sinking, measured at 50 °C ambient (see Key Application Considerations section for more information).
3. Packages: P: DIP-8C, D: SO-8C.

- $V_{MIN}$  and  $V_{MAX}$  [D40] and [D41] show the minimum and maximum DC voltages on the input bulk capacitors. It is calculated by using the AC input parameters [B3], [B4] and the value of  $C_{IN}$  [B11]. If a DC input voltage is used, you may enter the values in cells [B40] and [B41]. Entering values in these cells will overwrite the calculated values.
- The transformer’s feedback winding turns are shown in cell [D44]. If necessary entering a different number in cell [B44] will change the feedback voltage [D45].
- The feedback resistor values are shown in cells [D46] and [D47]. Enter a value in cell [B46] to change these values. It is not recommended to increase the value greater than 2.5 times the default value. Doing so may activate the open loop protection circuitry.
- If an external bias circuit is desired to reduce no load input power below 200 mW, enter YES in cell [B54]. If not then enter NO.
- If using a bias winding, the recommended bias voltage is shown in cell [D55]. You may change this voltage by entering a value in cell [B55]. It is not recommended to use a value lower than 10 V. Cell [D56] shows the number of turns required for the bias winding. It is important to note that this transformer winding must be AC stacked on top of the feedback winding (placed in series with the feedback winding).
- Enter in cell [B70] the transformer’s primary inductance tolerance in percent. The default is 10%.
- Verify that the core’s gap  $L_G$  [D77], the wire gauge AWG [D82] and the primary’s winding current density CMA [D84] are within acceptable limits.
- Use resistor values  $R_{UPPER}$  [D46] and  $R_{LOWER}$  [D47] for feedback resistors.
- Using PIVS1 [D115] and  $I_{O1}$  [D109] determine the proper output rectifier.
- Using  $V_{MAX}$  [D41] and  $I_R$  [D63] determine the proper input filter capacitors.
- Using  $V_{O1}$  [D108] and  $I_{RIPPLE1}$  [D114] determine the proper output filter capacitor
- Using  $I_{AVG}$  [D61] and the estimated peak reverse voltage, determine the input rectifier diodes. In most cases 1N4007 is ideal.
- Using  $I_{AVG}$  [D61] determine the proper input filter inductor current rating.

- If necessary, the output voltage can be fine tuned. After the first prototype is built and running, enter the output voltage in cell [B49] when measured at full load. A fine tuned value for  $R_{\text{LOWER}}$  [D50] will be calculated to adjust the output voltage.

## Step-by-Step Design Procedure

### Step 1 – Enter Application Variables $V_{\text{AC}_{\text{MIN}}}$ , $V_{\text{AC}_{\text{MAX}}}$ , $f_L$ , $V_o$ , $P_o$ , $\eta$ , $Z$ , $t_c$ , $C_{\text{IN}}$

ENTER APPLICATION VARIABLES				5 V, 6 W Adapter Design	
VACMIN	90		Volts	Minimum AC Input Voltage	
VACMAX	265		Volts	Maximum AC Input Voltage	
fL	50		Hertz	AC Mains Frequency	
VO	5.00		Volts	Output Voltage	
PO	6.00		Watts	Output Power	
$\eta$	0.72			Efficiency Estimate	
Z		0.5		Loss Allocation Factor	
tC		3	mSeconds	Bridge Rectifier Conduction Time Estimate	
CIN	16.80		uFarads	Input Filter Capacitor	

Figure 2. Application Variables Section of the Design Spreadsheet.

Determine the input voltage range from Table 3.

Nominal Input Voltage (VAC)	$V_{\text{AC}_{\text{MIN}}}$	$V_{\text{AC}_{\text{MAX}}}$
100/115	85	132
230	195	265
Universal	85	265

Table 3. Standard Worldwide Input Line Voltage Ranges.

Note: For designs that have a DC rather than an AC input, enter the values for minimum and maximum DC input voltages,  $V_{\text{MIN}}$  and  $V_{\text{MAX}}$ , directly into the grey override cell on the design spreadsheet (see Figure 3).

### Line Frequency, $f_L$

50 Hz for universal or single 100 VAC, 60 Hz for single 115 VAC input. 50 Hz for single 230 VAC input. These values represent typical line frequencies rather than minimum. For most applications this gives adequate overall design margin. For absolute worst case or based on the product specification reduce these numbers by 6% (47 Hz or 56 Hz). For half-wave rectification use  $f_L/2$ . For DC input enter the voltage directly into Cells [B40] and [B41].

### Nominal Output voltage, $V_o$ (V)

Enter the nominal output voltage.

### Output Power, $P_o$ (W)

Enter the output power.

### Power Supply Efficiency, $\eta$

Enter the estimated efficiency of the complete power supply measured at the output terminals under full load conditions and worst-case line (generally lowest input voltage). Initial values

are provided in table 1. After measuring the efficiency of the first prototype-board at full load and both  $V_{\text{AC}_{\text{MIN}}}$  and  $V_{\text{AC}_{\text{MAX}}}$  if the measured efficiency is different than estimated then enter the measured value and refine the transformer design.

### Power Supply Loss Allocation Factor, Z

This factor represents the proportion of losses between the primary and the secondary of the power supply. Z factor is used

together with the efficiency number to determine the actual power that must be delivered by the power stage. For example losses in the input stage (EMI filter, rectification etc) are not processed by the power stage (transferred through the transformer). Although they reduce efficiency, the transformer design is not impacted.

$$Z = \frac{\text{Secondary Side Losses}}{\text{Total Losses}}$$

Start with a value of 0.5 if no other data is available.

### Bridge Diode Conduction Time, $t_c$ (ms)

This is the duration of the incoming AC sine wave during which the input diodes conduct, charging the input capacitance. This value is used in the calculation of the minimum voltage across the input capacitance at  $V_{\text{AC}_{\text{MIN}}}$ . The actual value for  $t_c$  can be found by measuring the input current waveform on a prototype. Use a value of 3 ms if no other data is available.

### Total Input Capacitance, $C_{\text{IN}}$ ( $\mu\text{F}$ )

Enter total input capacitance using table 4 for guidance.

Total Input Capacitance Per Watt Output Power ( $\mu\text{F}/\text{W}$ )	
AC Input Voltage (VAC)	Full Wave Rectification
100/115	3
230	1
85-265	3

Table 4. Suggested Total Input Capacitance for Different Input Voltage Ranges.

The capacitance is used to calculate the minimum and maximum DC voltage across the bulk capacitor and should be selected to keep the minimum DC input voltage,  $V_{\text{MIN}} > 70 \text{ V}$  and  $D_{\text{MAX}} < 54\%$ .

DC INPUT VOLTAGE PARAMETERS			
VMIN		96	Volts
VMAX		375	Volts

Figure 3. DC Input Voltage Parameters Section of the Design Spreadsheet.

**Step 2 – Enter LinkSwitch-CV Variables:  
LinkSwitch-CV Device,  $V_{DS}$  and  $V_D$ .**

Select a LinkSwitch-CV device based on the input voltage range and output power using Table 2 for guidance.

**Reflected Output Voltage, ( $V_{OR}$ )**

This parameter sets the turns ratio between primary and secondary windings. For a given operating condition, a lower  $V_{OR}$  will reduce the peak drain voltage, increase the output rectifier's conduction time and reduce the output filter capacitor's ripple current. For a given primary inductance, a lower  $V_{OR}$  will reduce the maximum output power. It is recommended to use the default  $V_{OR}$  value for the first design iteration.

**LinkSwitch-CV On State Drain to Source Voltage,  $V_{DS}$  (V)**

This parameter is the average ON state voltage developed across the DRAIN and SOURCE pins of LinkSwitch-CV. By default, if the grey override cell is left empty, a value of 10 V is assumed. Use the default value if no better data is available.

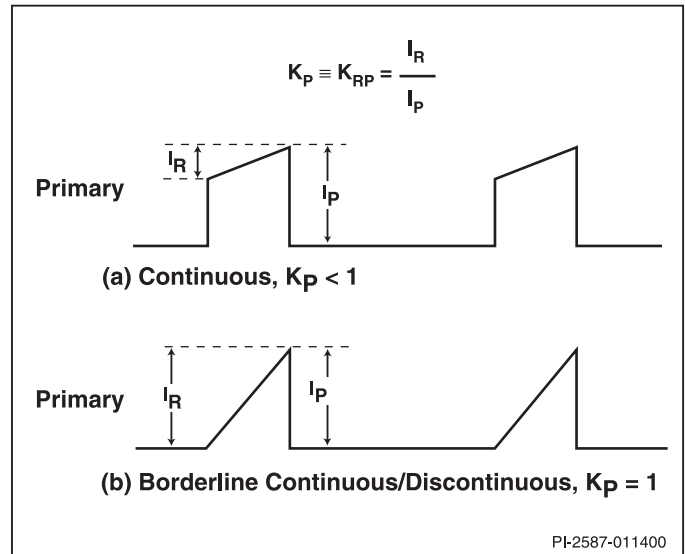


Figure 5. Continuous Conduction Mode Primary Current Waveforms,  $K_p \leq 1$ .

ENTER LinkSwitch-CV VARIABLES				
LinkSwitch-CV	LNK625P		LNK625P	Chosen LinkSwitch-CV device
ILIMITMIN		0.307	Amps	LinkSwitch-CV Minimum Current Limit
ILIMITMAX		0.353	Amps	LinkSwitch-CV Maximum Current Limit
fS		100000	Hertz	LinkSwitch-CV Switching Frequency
I2FMIN		9801	A <sup>2</sup> Hz	LinkSwitch-CV Min I2F (power Coefficient)
I2FMAX		12741	A <sup>2</sup> Hz	LinkSwitch-CV Max I2F (power Coefficient)
VOR		90	Volts	Reflected Output Voltage
VDS		10	Volts	LinkSwitch-CV on-state Drain to Source Voltage
VD		0.5	Volts	Output Winding Diode Forward Voltage Drop
DCON		5.04	us	Output Diode conduction time
KP_TRANSIENT		1.04		Worst case ripple to peak current ratio. Maintain KP_TRANSIENT below 0.25

Figure 4. LinkSwitch-CV Parameters Section of Design Spreadsheet.

**Output Diode Forward Voltage Drop,  $V_D$  (V)**

Enter the average forward voltage drop of the (main) output diode. Use 0.5 V for a Schottky diode or 0.7 V for a PN junction diode if no better data is available. By default, a value of 0.5 V is assumed.

**Output Diode Conduction Time,  $D_{CON}$  ( $\mu$ s)**

This is the calculated diode conduction time of the output diode. This value should always be greater than 3.1  $\mu$ s, the point at which the voltage on the FEEDBACK pin of LinkSwitch-CV is sampled.

**Ripple to Peak Drain Current Ratio,  $K_{P(TRANSIENT)}$**

$K_p$  is the calculated ratio of ripple to peak primary current.  $K_{P(TRANSIENT)}$  is the lowest value of  $K_p$  that occurs between the first and second switching cycles after a switching cycle has been skipped. This value should be kept above a value of 0.25 to prevent the current limit being triggered after leading edge blanking.

**Step 3 – Choose Core and Bobbin Based on Output Power and Enter  $A_E$ ,  $L_E$ ,  $A_L$ , BW, L**

These symbols represent core effective cross-sectional area  $A_E$  (cm<sup>2</sup>), core effective path length  $L_E$  (cm), core ungapped effective inductance  $A_L$  (nH/Turn<sup>2</sup>), bobbin width BW (mm) and number of primary layers L.

By default, if the Core cell is left empty, the spreadsheet selects the smallest core size that meets the peak flux density limit. The user can change this selection and choose an alternate core from a list of commonly available cores (shown in Table 5). Enter the core type from the drop down menu. If the desired core is not listed, then you may enter a core's characteristics  $A_E$ ,  $L_E$  and  $A_L$  and the bobbin width BW.

For designs that require safety isolation between primary and secondary but are not using triple insulated wire. The width of the safety margin to be used on each side of the bobbin should be entered for M. Typically for universal input designs a total margin of 6.2 mm would be required, and a value of 3.1 mm would be entered into the spreadsheet. For vertical bobbins the margin may not be symmetrical, however if a total margin of 6.2 mm were required then 3.1 mm would still be entered even if the physical margin were only on one side of the bobbin.

For designs using triple insulated wire it may still be necessary to enter a small margin in order to meet the required safety creepage distances. Typically many bobbins exist for each core size and each will have different mechanical spacing. Refer to the bobbin data sheet or seek guidance from your safety expert or transformer vendor to determine what specific margin is required. As the margin reduces the available area for the windings, margin construction may not be suitable for small

ENTER TRANSFORMER CORE/CONSTRUCTION VARIABLES				
Core Type	Auto	EE16		Transformer Core size
Core		EE16	P/N:	PC40EE16-Z
Bobbin		EE16 BOBBIN	P/N:	BE-16-118CPH
AE			0.192 cm <sup>2</sup>	Core Effective Cross Sectional Area
LE			3.5 cm	Core Effective Path Length
AL			1140 nH/T <sup>2</sup>	Ungapped Core Effective Inductance
BW			8.5 mm	Bobbin Physical Winding Width
M			0.00 mm	Safety Margin Width (Half the Primary to Secondary Creepage Distance)
L			3	Number of Primary Layers
NS			7	Number of Secondary Turns

Figure 6. Transformer Core and Construction Variables Section of the Design Spreadsheet.

Transformer Core Size	
EE10	EF16
EF12.6	EF20
EE13	EF25
EE16	EFD15
EE19	EFD20
EE22	EFD25
EEL16	EFD30
EE16W	EI16
EEL19	EI19
EEL22	EI22
EE25	EI25
EEL25	

Table 5. List of Cores Provided in LinkSwitch-CV PIXIs Spreadsheet.

core sizes. If after entering the margin more than 3 primary layers (L) are required, it is suggested that either a larger core be selected or switch to a zero margin design using triple insulated wire.

If your requirements require the use of margin tape, enter the tape width in mm for M.

Enter the number of primary layers (L). The maximum recommended primary layers is 3. Larger number of layers increases leakage inductance which increases losses and degrades output regulation.

$N_s$  is the number of secondary turns. If left blank the lowest number of turns to meet an acceptable core flux density will be calculated.

#### Step 4 – Feedback Variables

The feedback parameters are calculated by the software.  $N_{FB}$  is the number of turns for the feedback winding. The user can change the value by entering the desired number in the shaded cell.  $V_{FLY}$  is the flyback voltage on the feedback winding. This voltage is used to regulate the output voltage. Resistors  $R_{UPPER}$  and  $R_{LOWER}$  are the feedback resistors connected to the feedback winding and the FB pin of the LinkSwitch-CV device. You may enter another value in the shaded cell to change  $R_{UPPER}$  and  $R_{LOWER}$  will be re-calculated. It is not recommended to increase the value greater than 2.5 times the default value. Doing so may activate the open loop protection circuitry.

After the first prototype is operating, the output voltage can be fine tuned for increased accuracy. Measure the output voltage at full load and enter the value in the Measured Output Voltage cell.  $R_{LOWER\_FINE}$  will be calculated based on this measured value. Use this value to replace the existing  $R_{LOWER}$  in the prototype.

#### Step 5 – Bias Winding Parameters

If an external bias circuit is desired to reduce no load input power below 200 mW, enter YES in shaded cell. If not, enter NO. If using a bias winding, the recommended bias voltage is shown in cell for  $V_B$ . You may change this voltage by entering a value in the shaded cell. It is not recommended to use a value

FEEDBACK VARIABLES				
NFB			6.00	Feedback winding number of turns
VFLY			4.71 Volts	Voltage on the Feedback winding when LinkSwitch-CV turns off
RUPPER			10.00 k-ohms	Upper resistor of feedback network
RLOWER			7.50 k-ohms	Lower resistor of feedback network
<b>Fine Tuning Section</b>				
Measured Output Voltage			5.00 k-ohms	Actual (Measured) Voltage at the output of power supply
RLOWER FINE			7.50 k-ohms	Adjusted (Fine tuned) value of lower resistor (RLOWER). Do not change value of RUPPER

Figure 7. Feedback Variables Section of the Design Spreadsheet.

Bias Winding Parameters				
Add Bias winding	YES		YES	Enter 'Yes' if you want to add a Bias winding
VB			10 Volts	Bias Winding Voltage
NB			7	Number of Bias winding turns. Bias winding is assumed to be AC stacked on top of the Feedback winding

Figure 8. Bias Winding Parameters Section of the Design Spreadsheet.



lower than 10 V.  $N_B$  is the number of turns required for the bias winding. It is important to note that this transformer winding must be AC stacked on top of the feedback winding (placed in series with the feedback winding).

typical  $A_{LG}$  value multiplied by  $1+(L_{P(TOL)}/100)$ . This value is typically used by transformer vendors to purchase the cores with the correct gap size.

CURRENT WAVEFORM SHAPE PARAMETERS				
DMAX			0.51	Maximum Duty Cycle
I <sub>AVG</sub>			0.09 Amps	Average Primary Current
I <sub>P</sub>			0.31 Amps	Minimum Peak Primary Current
I <sub>R</sub>			0.27 Amps	Primary Ripple Current
I <sub>RMS</sub>			0.13 Amps	Primary RMS Current

Figure 9. Current Waveform Shape Parameters Section of the Design Spreadsheet.

**Step 6 – Iterate Transformer Design and Generate Key Transformer Design Parameters**

Iterate the design, making sure that no warnings are displayed. Any parameters outside the recommended range of values can be corrected by following the guidance given in the right hand column. Messages marked “!!! Info” provide guidance for acceptable parameters that can be further optimized. Once all warnings have been cleared, use the transformer design parameters to either wind a prototype transformer, or to send to a vendor for obtaining samples.

**Maximum Flux Density,  $B_M$  (Gauss)**

$B_M$  is the operating core flux density. A maximum value of 2500 (0.25 T) is recommended to minimize audible noise generation. Values above this will depend on acceptability of audible noise levels. If using long cores, for example EEL16, the flux density may need to be reduced even further to give acceptable levels.

**Peak Flux Density,  $B_P$  (Gauss)**

$B_P$  is the maximum flux density at maximum device current limit and inductance tolerance. To prevent core saturation a maximum value of 3100 Gauss (0.31 T) is recommend.

TRANSFORMER PRIMARY DESIGN PARAMETERS				
L <sub>PMIN</sub>			1479 uHenries	Minimum Primary Inductance
L <sub>P TYP</sub>			1627 uHenries	Typical (Nominal) Primary Inductance
L <sub>P TOL</sub>			10	Tolerance of Primary inductance
N <sub>P</sub>			115	Primary Winding Number of Turns
A <sub>LG</sub>			124 nH/T <sup>2</sup>	Gapped Core Effective Inductance
BM			2441 Gauss	Maximum Flux Density. (BM<2500) Calculated at typical current limit and typical primary inductance
BP			2848 Gauss	Peak Flux Density. (BP<3100) Calculated at maximum current limit and maximum primary inductance
BAC			950 Gauss	AC Flux Density for Core Loss Curves (0.5 X Peak to Peak)
μ <sub>r</sub>			1654	Relative Permeability of Ungapped Core
L <sub>G</sub>			0.19 mm	Gap Length (L <sub>G</sub> > 0.1 mm)
BWE			25.5 mm	Effective Bobbin Width
OD			0.22 mm	Maximum Primary Wire Diameter including insulation
INS			0.04 mm	Estimated Total Insulation Thickness (= 2 * film thickness)
DIA			0.18 mm	Bare conductor diameter
AWG			34 AWG	Primary Wire Gauge (Rounded to next smaller standard AWG value)
CM			40 Cmils	Bare conductor effective area in circular mils
CMA			301 Cmils/Amp	Primary Winding Current Capacity (200 < CMA < 500)

Figure 10. Transformer Primary Design Parameters Section of the Design Spreadsheet.

**Primary Inductance,  $L_{P(TYP)}$ ,  $L_{P(MIN)}$  (mH),  $L_{P(TOLERANCE)}$ , (%)**

$L_{P(MIN)}$  represents the minimum primary inductance needed to deliver the nominal output power ( $P_O$ ).

As it is more common to specify the primary inductance to a vendor as a nominal value with tolerance, the value for  $L_{P(TYP)}$  is calculated via the expression

$$L_{P(TYP)} = L_{P(MIN)} \times \left(1 + \frac{L_{P(TOL)}}{100}\right)$$

where  $L_{P(TOL)}$  is the entered percentage tolerance. If no value is entered, PIXIs uses 10 by default, signifying  $L_{P(TOL)}$  of ±10%.

**Primary Winding Number of Turns,  $N_P$**

This is the total number of primary winding turns.

**Gapped Core Effective Inductance,  $A_{LG}$  (nH/T<sup>2</sup>)**

This is the target core effective inductance at  $L_{P(MIN)}$  for the

**Core Gap Length,  $L_G$  (mm)**

$L_G$  is the estimated core gap length. Values below 0.1 mm are generally not recommended for center-leg gapped cores due to the resultant increase in primary inductance tolerance. If you require such a low value, consult with your transformer vendor for guidance.

**Maximum Primary Winding Wire Outside Diameter, OD (mm)**

This is the calculated maximum outside wire diameter to allow the primary winding to fit into the number of specified layers. When selecting the wire type use double-coated magnetic wire (rather than single-coated types) for improved reliability and reduced primary capacitance (lower no-load input power).

**Primary Winding Wire Bare Conductor Diameter, DIA (mm)**

**Primary Winding Wire Gauge, AWG**

This is the calculated conductor diameter rounded to the next smallest standard American Wire Gauge size.

**Primary Winding Bare Conductor Effective Area,  $CM(C_{MILS})$** 

$CM$  is the effective conductor area in circular mils.

**Primary Winding Wire Current Capacity,  $CMA (C_{MILS}/A)$** 

$CMA$  is the primary conductor area in circular mils (where 1 mil = 1/1000th of an inch) per Amp. Values below the recommended minimum of 200 maybe acceptable if worst case winding temperature is verified.

**Step 7 – Selection of Input Stage**

The recommended input stage is shown in Table 6. It consists of a fusible element, input rectification, and line filter network. The fusible element can be either a fusible resistor or a fuse. If a fusible resistor is selected, use a flameproof type. Depending on the differential line input surge requirements, a wire-wound type may be required. Avoid using metal or carbon film types as these can fail due to the inrush current when  $VAC_{MAX}$  is applied repeatedly to the supply.

For designs using a Y-capacitor and a single inductor or inductor plus ferrite bead the inductor should be located on the opposite side to the Y-capacitor connection. For example with the Y-capacitor connected to positive of  $C_{IN2}$  the inductor should be in the location of  $L_{IN2}$  and ferrite bead  $L_{IN1}$  (if used).

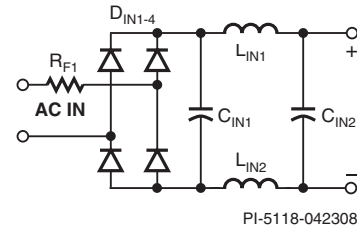
For designs with outputs  $\leq 1$  W, it is generally lower cost to use half-wave rectification; and  $>1$  W, full-wave rectification. The EMI immunity of half-wave rectified designs is improved by adding a second diode in the lower return rail. This provides EMI gating (EMI currents only flow when the diode is conducting) and doubles the differential surge immunity since the surge voltage is shared across two diodes.

Half-wave rectification may be unsuitable if the supply specification requires output electrostatic discharge (ESD) testing. During such testing up to  $\pm 15$  kV discharges of fixed energy are applied to the secondary of the supply (with respect to the primary). With half-wave rectification this voltage also appears across the input diodes, and may cause failure. With full-wave rectification the diode stress is clamped to the voltage across the input capacitance, preventing diode failure.

Conducted EMI filtering is provided by  $L_{IN1}$  and  $L_{IN2}$ , which together with  $C_{IN1}$  and  $C_{IN2}$ , form a pi ( $\pi$ ) filter. A single inductor is suitable for designs below 3 W or when EMI is measured with the output of the supply floating (i.e. not connected to safety earth ground). Although two inductors are generally required above 3 W, a ferrite bead may be sufficient, especially when the output of the supply is floating.

Normally the total input capacitance is divided equally between the two input capacitors ( $C_{IN1}$  and  $C_{IN2}$ ). However, for lower cost, two different capacitance values may be used. In this case select  $C_{IN1}$  as  $\geq 1 \mu F$  (or as needed) to prevent overvoltage of the capacitor during differential mode surge. Select the second capacitor  $C_{IN2}$  to meet both an overall capacitance ( $C_{IN1} + C_{IN2}$ ) of  $\geq 2 \mu F/W$  of output power, and  $3 \mu F/W$  of output power for highest low-line efficiency.

Differential-mode EMI generation is a strong function of the equivalent series resistance (ESR) of  $C_{IN2}$ , as this capacitor supplies the primary switching current. Selecting a lower ESR capacitor series for  $C_{IN2}$  than  $C_{IN1}$  can help reduce differential mode (low frequency) conducted EMI while optimizing the overall cost of the two capacitors. Table 6 shows the input filter schematic, gives a formula for selecting  $C_{IN1} + C_{IN2}$ , and tells how to adjust the input capacitance for other input voltage ranges.



$R_{F1}$ :	4.7 $\Omega$ – 10 $\Omega$ , 1 W, Fusible, flameproof or fuse
$L_{IN1}$ :	470 $\mu H$ – 2.2 mH, 0.05 A – 0.3 A
$L_{IN2}$ :	Ferrite bead or 470 $\mu H$ – 2.2 mH, 0.05 A – 0.3 A
$C_{IN1} + C_{IN2}$ :	$\geq 2 \mu F/W_{OUT}$ , 400 V, 85 VAC - 265 VAC
	$\geq 2 \mu F/W_{OUT}$ , 200 V, 100 VAC - 115 VAC
	$\geq 1 \mu F/W_{OUT}$ , 400 V, 185 VAC - 265 VAC
$D_{INX}$ :	1N4007, 1 A, 1000 V

Table 6. Input Stage Recommendation

**Step 8 – Selection of BYPASS Pin Capacitor, Bias Winding and Feedback Components****BYPASS Pin Capacitor**

Use a 1  $\mu F$  BYPASS pin capacitor ( $C_4$  in Figure 1) with a voltage rating greater than 7 V. The capacitor's dielectric material is not critical. However, the absolute minimum value (including tolerance and temperature) should be  $\geq 0.5 \mu F$ . The capacitor must be physically located close to the LinkSwitch-CV BYPASS pin.

**Bias Winding Components**

The addition of a bias circuit decreases the no-load input power from  $\sim 200$  mW down to less than 70 mW. This may sufficiently increase efficiencies at lighter loads to allow lower cost components while still meeting average efficiency requirements. For example a PN-junction diode may replace a higher-cost Schottky-barrier diode, or the output cable may be replaced by one constructed of smaller diameter wire (higher impedance).

The power supply schematic shown in Figure 1 uses the bias circuit. Diode  $D_6$ , capacitor  $C_6$ , and resistor  $R_4$  form the bias circuit. If the output voltage is less than 10 V, then an additional transformer winding is needed, AC-stacked on top of the feedback winding. This provides a high enough voltage to supply the BYPASS pin even during low switching frequency operation at no-load.

In Figure 1 the additional bias winding (from pin 5 to pin 4) is stacked on top of the feedback winding (pin 4 to pin 2). Diode  $D_6$  rectifies the output and  $C_6$  is the filter capacitor. A 10  $\mu F$  capacitor is recommended to hold up the bias voltage during

the low frequency operation at no-load. The capacitor type is not critical but its voltage rating should be above the maximum value of  $V_{BIAS}$ . The recommended current into the BYPASS pin is equal to the IC supply current (~0.5 mA). The value of  $R_{BIAS}$  (R4) is calculated according to

$$R_{BIAS} = (V_{BIAS} - V_{BP})/I_{S2}$$

where  $V_{BIAS}$  (10 V typical) is the voltage across C6,  $I_{S2}$  (0.5 mA typical) is the IC supply current, and  $V_{BP}$  (6.0 V typical) is the BP pin voltage. The parameters  $I_{S2}$  and  $V_{BP}$  are provided in the parameter table of the LinkSwitch-CV data sheet. Diode D6 can be any low-cost diode such as FR102, 1N4148, or BAV19/20/21. The diode voltage stress is given in the Voltage Stress Parameter section of the design spreadsheet.

If the feedback winding voltage ( $V_{FLY}$  in the design spreadsheet) is >10 V an additional winding is not required. In this case, connect D6 directly to the feedback winding at pin 4 of the transformer and eliminate the bias winding between pins 5 and 4.

### Feedback Pin Resistor Values

The values of  $R_{UPPER}$  and  $R_{LOWER}$  can be found in cells [D46] and [D47] for the initial prototype build. In applications where a different feedback network impedance is required, a value can be entered for  $R_{UPPER}$ , the software will calculate the value of  $R_{LOWER}$ . It is important to note that the FEEDBACK pin requires a minimum of 150  $\mu$ A of input current to detect that the feedback network is present. If the current is less than 150  $\mu$ A, the power supply may not start properly. Resistors  $R_{UPPER}$  and  $R_{LOWER}$  should be located as close to the FEEDBACK pin as possible. After the first prototype is running, it may be necessary to adjust the output voltage by adjusting the value of  $R_{LOWER}$ . PIXIs will calculate the proper value. Enter the measured output voltage in cell [B49] and PIXIs will display the new value for  $R_{LOWER}$  in cell [D50].

Capacitor C5 and R5 in figure 1 are used to eliminate the effects of pulse grouping. Please see the section on pulse grouping in the Tips for Designs section for more information.

### Step 9 – Selection of Output Diode and Pre-load Output Rectifier Diode

The output rectifier diode should be either a fast or an ultrafast recovery PN junction or Schottky-barrier type. Select a diode with sufficient margin to the specified voltage rating ( $V_R$ ). Typically  $V_R \geq 1.2 \times PIVs$ , where PIVs is taken from the Voltage Stress Parameters section of the spreadsheet. Once a prototype is completed use an oscilloscope to measure the actual diode stress at  $VAC_{MAX}$  to confirm acceptable de-rating (typically 80%).

Select the diode with the closest rating to  $I_D \geq 2 \times I_O$ , where  $I_D$  is the diode's rated current and  $I_O$  is the output current. Take the diode's self-heating into consideration and use a larger diode, if needed, to meet thermal or efficiency requirements.

Table 7 lists some of the suitable Schottky and ultrafast diodes that may be used with LinkSwitch-CV circuits. As the output voltage is sampled at the switching frequency, a minimum switching frequency is maintained at no-load to give acceptable transient load performance. Therefore, if the supply can operate unloaded, use a pre-load resistor to prevent the output voltage from rising under very light (<~25 mA) or no-load conditions (see resistor R7, R8 and R9 in Figure 1).

For designs where output voltage regulation must be maintained at zero load, start with a resistor value that represents a load of approximately 25 mA at the nominal output voltage. For example, for a 5 V output use a pre-load resistor value of 2 k $\Omega$ .

For designs where the output voltage can rise under no-load conditions, select the pre-load resistor value such that the output voltage is within the maximum output voltage specification. Limit the maximum voltage rise at no-load to <50% of the normal output voltage to minimize increases in input power due to increases in the primary clamp and bias winding dissipation.

Since a pre-load resistor also increases the no-load losses, where the specification allows, adjust the no-load voltage to trade-off lower no-load input power with high no-load output voltage as needed.



Series Number	Type	VR Range	I <sub>F</sub>	Package	Manufacturer
		V	A		
1N5817 to 1N5819	Schottky	20-40	1	Leaded	Vishay
SB120 to SB1100	Schottky	20-100	1	Leaded	Vishay
11DQ50 to 11DQ60	Schottky	50-60	1	Leaded	Vishay
1N5820 to 1N5822	Schottky	20-40	3	Leaded	Vishay
MBR320 to MBR360	Schottky	20-60	3	Leaded	Vishay
SS12 to SS16	Schottky	20-60	1	SMD	Vishay
SS32 to SS36	Schottky	20-60	3	SMD	Vishay
UF4002 to UF4006	Ultrafast	100-600	1	Leaded	Vishay
UF5401 to UF5408	Ultrafast	100-800	3	Leaded	Vishay
ES1A to ES1D	Ultrafast	50-200	1	SMD	Vishay
ES2A to ES2D	Ultrafast	50-200	2	SMD	Vishay
SL12 to SL23	Schottky (low V <sub>F</sub> )	20-30	1	SMD	Vishay
SL22 to SL23	Schottky (low V <sub>F</sub> )	20-30	2	SMD	Vishay
SL42 to SL44	Schottky (low V <sub>F</sub> )	20-30	4	SMD	Vishay

Table 7. List of Suitable Diodes for LinkSwitch-CV Designs.

TRANSFORMER SECONDARY DESIGN PARAMETERS				
<b>Lumped parameters</b>				
ISP		5.02	Amps	Peak Secondary Current
ISRMS		2.14	Amps	Secondary RMS Current
IO		1.20	Amps	Power Supply Output Current
IRIPPLE		1.78	Amps	Output Capacitor RMS Ripple Current
CMS		429	Cmils	Secondary Bare Conductor minimum circular mils
AWGS		23	AWG	Secondary Wire Gauge (Rounded up to next larger standard AWG value)
DIAS		0.58	mm	Secondary Minimum Bare Conductor Diameter
ODS		1.21	mm	Secondary Maximum Outside Diameter for Triple Insulated Wire
INSS		0.32	mm	Maximum Secondary Insulation Wall Thickness

Figure 11. Transformer Secondary Design Parameters Section of Design Spreadsheet.

VOLTAGE STRESS PARAMETERS				
VDRAIN		584	Volts	Maximum Drain Voltage Estimate (Includes Effect of Leakage Inductance)
PIVB		48	Volts	Bias Diode Maximum Peak Inverse Voltage
PIVS		28	Volts	Output Rectifier Maximum Peak Inverse Voltage

Figure 12. Voltage Stress Parameters Section of Design Spreadsheet.

### Step 10 – Select Output Filter Capacitor

Select the capacitor voltage to be  $\geq 1.2 \times V_{O(MAX)}$ .

Select the initial capacitor choice using the maximum allowable equivalent series resistance (ESR) expression below:

$$ESR_{MAX} = \frac{V_{RIPPLE(MAX)}}{I_{SP}}$$

Where  $V_{RIPPLE(MAX)}$  is the maximum specified output ripple and noise and  $I_{SP}$  is the secondary peak current from the Transformer Secondary Parameters section of the design spreadsheet.

The absolute minimum capacitance (excluding the effect of ESR) is given by:

$$C_{OUT(MIN)} = \frac{I_{O(MAX)} \left( \frac{1}{F_s} - D_{CON} \right)}{V_{RIPPLE(MAX)}}$$

Where  $I_{O(MAX)}$  is the maximum output current,  $F_s$  is switching

frequency,  $D_{CON}$  is the output diode conduction time and  $V_{RIPPLE(MAX)}$  is the maximum allowable output ripple voltage. Verify that the ripple current rating of the capacitor is above the  $I_{RIPPLE}$  value (from the Transformer Secondary Parameters section of the design spreadsheet). If not, select the smallest capacitance value that meets this requirement. Many capacitor manufacturers provide factors that increase the ripple current rating as the capacitor operating temperature is reduced from the data sheet maximum. This should be considered to ensure that the capacitor is not oversized for cost reasons.

To reduce the physical size of the output capacitor an output LC post filter can be used to reduce the ESR related switching noise. In this case select either a 1  $\mu$ H to 3.3  $\mu$ H inductor with a current rating  $\geq I_o$  or a ferrite bead for designs with  $I_o < 500$  mA. The second capacitor is typically 100  $\mu$ F or 220  $\mu$ F with a low ESR for good transient response. As the secondary ripple current does not pass through this capacitor there are no specific ESR or ripple current requirements.

TRANSFORMER SECONDARY DESIGN PARAMETERS (MULTIPLE OUTPUTS)					
<b>1st output</b>					
VO1			5	Volts	Output Voltage (if unused, defaults to single output design)
IO1			1.200	Amps	Output DC Current
PO1			6.00	Watts	Output Power
VD1			0.5	Volts	Output Diode Forward Voltage Drop
NS1			7.00		Output Winding Number of Turns
ISRMS1			2.14	Amps	Output Winding RMS Current
IRIPPLE1			1.78	Amps	Output Capacitor RMS Ripple Current
PIVS1			28	Volts	Output Rectifier Maximum Peak Inverse Voltage
CMS1			429	Cmils	Output Winding Bare Conductor minimum circular mils
AWGS1			23	AWG	Wire Gauge (Rounded up to next larger standard AWG value)
DIAS1			0.58	mm	Minimum Bare Conductor Diameter
ODS1			1.21	mm	Maximum Outside Diameter for Triple Insulated Wire
<b>2nd output</b>					
VO2				Volts	Output Voltage
IO2				Amps	Output DC Current
PO2			0.00	Watts	Output Power
VD2			0.7	Volts	Output Diode Forward Voltage Drop
NS2			0.89		Output Winding Number of Turns
ISRMS2			0.00	Amps	Output Winding RMS Current
IRIPPLE2			0.00	Amps	Output Capacitor RMS Ripple Current
PIVS2			3	Volts	Output Rectifier Maximum Peak Inverse Voltage
CMS2			0	Cmils	Output Winding Bare Conductor minimum circular mils
AWGS2			N/A	AWG	Wire Gauge (Rounded up to next larger standard AWG value)
DIAS2			N/A	mm	Minimum Bare Conductor Diameter
ODS2			N/A	mm	Maximum Outside Diameter for Triple Insulated Wire
<b>3rd output</b>					
VO3				Volts	Output Voltage
IO3				Amps	Output DC Current
PO3			0.00	Watts	Output Power
VD3			0.7	Volts	Output Diode Forward Voltage Drop
NS3			0.89		Output Winding Number of Turns
ISRMS3			0.00	Amps	Output Winding RMS Current
IRIPPLE3			0.00	Amps	Output Capacitor RMS Ripple Current
PIVS3			3	Volts	Output Rectifier Maximum Peak Inverse Voltage
CMS3			0	Cmils	Output Winding Bare Conductor minimum circular mils
AWGS3			N/A	AWG	Wire Gauge (Rounded up to next larger standard AWG value)
DIAS3			N/A	mm	Minimum Bare Conductor Diameter
ODS3			N/A	mm	Maximum Outside Diameter for Triple Insulated Wire
<b>Total power</b>			6	Watts	Total Output Power
Negative Output			N/A		If negative output exists enter Output number; eg: If VO2 is negative output, enter 2

Figure 13. Transformer Secondary Design Parameters for Multiple Outputs Section of Design Spreadsheet.

The output capacitor may also be split into two physical capacitors. Here the overall ripple current rating is equal to the sum of the ratings of each individual capacitor.

### Step 11 – Selection of Primary Clamp Components

Two clamp arrangements, shown in Figure 14, are suitable for LinkSwitch-CV designs. Minimize the value of  $C_{C1}$  and maximize  $R_{C2}$  while maintaining the peak drain voltage to <680 V. Larger values of  $C_{C1}$  may cause higher output ripple voltages due to the longer settling time of the clamp voltage impacting the sampled voltage on the feedback winding.

The RCDZ circuit is preferred when the primary leakage inductance is greater than 125  $\mu$ H to reduce drain voltage overshoot and/or ringing present on the feedback winding.

For best output regulation, the feedback voltage must settle to within 1% at 2.1  $\mu$ s from the turn off of the primary MOSFET. This requires careful selection of the clamp circuit components. The voltage of VR1 is selected to be 10% to 20% above the  $V_{OR}$ . This allows the clamp to limit the magnitude of the leakage voltage spike at turn off but ensures the Zener is not conducting during the flyback period when the output diode is conducting. The value of  $R_{C2}$  should be the largest value that result in both acceptable settling of the feedback pin voltage and peak drain voltage. Making  $R_{C2}$  too large will increase the discharge time of  $C_{C1}$ , increase the peak drain voltage and degrade regulation.

Resistor  $R_{C1}$  dampens high frequency leakage inductance ringing for reduced EMI. The value must be large enough to dampen the ring in the required time but must not be too large to cause the drain voltage to exceed 680 V.

If the primary leakage inductance is less than 125  $\mu$ H, VR1 can be eliminated and the value of  $R_{C2}$  increased. A value of 470 k $\Omega$  with an 820 pF capacitor is a recommended starting point. Verify that the peak drain voltage is less than 680 V under all line and load conditions. Verify the feedback winding settles to an acceptable limit for good line and load regulation.

### Effects of Fast vs. Slow Diodes in Clamp Circuit

A slow reverse recovery diode (>1  $\mu$ s) reduces the feedback voltage ringing and improve output regulation. Using a fast diode (500 ns) increases the amplitude of ringing which can result in increased output ripple. In Figure 15 the (larger) ring amplitude when using a FR104 diode represents up to an 8% error in the sampled voltage over the time period 2.5  $\mu$ s to 3.1  $\mu$ s.

### Clampless Designs

Clampless designs rely solely on the drain node capacitance to limit the leakage inductance induced peak drain-to-source voltage. Therefore the maximum AC input line voltage, the value of  $V_{OR}$ , the leakage inductance energy, (a function of leakage inductance and peak primary current), and the primary winding capacitance determine the peak drain voltage. With no

## Common Primary Clamp Configurations

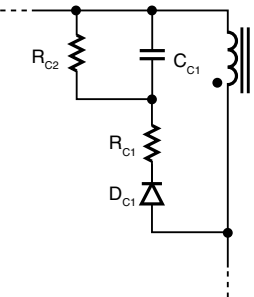
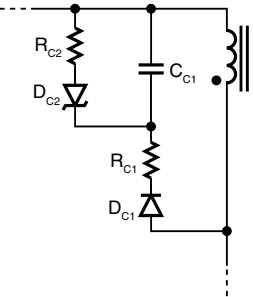
RCD	RCDZ (Zener Bleed)
 <p style="text-align: center;">PI-5107-110308</p>	 <p style="text-align: center;">PI-5108-110308</p>
<p><math>D_{C1}</math>: 1N4007 / FR107, 1 A, 1000 V</p> <p><math>R_{C1}</math>: 100 <math>\Omega</math> - 300 <math>\Omega</math>, 1/4 W</p> <p><math>C_{C1}</math>: 470 pF - 1000 pF</p> <p><math>R_{C2}</math>: 330 k<math>\Omega</math> - 680 k<math>\Omega</math>, 1/2 W</p>	<p><math>D_{C1}</math>: 1N4007 / FR107, 1 A, 1000 V</p> <p><math>D_{C2}</math>: BZY97Cxxx (xxx = 1.1 to 1.2 <math>\times V_{OR}</math>)</p> <p><math>R_{C1}</math>: 100 <math>\Omega</math> - 300 <math>\Omega</math>, 1/4 W</p> <p><math>R_{C2}</math>: 5 k<math>\Omega</math> - 100 k<math>\Omega</math>, 1/2 W</p> <p><math>C_{C1}</math>: 470 pF - 1000 pF</p>

Figure 14. Primary Clamp Configurations Suitable for LinkSwitch-CV Designs.

significant dissipative element present, as is the case with an external clamp, the longer duration of the leakage inductance ringing can increase EMI.

The following requirements are recommended for a universal input or 230 VAC only Clamless design:

1. Clamless designs should only be used for  $P_o \leq 5$  W using a  $V_{OR}$  of  $\leq 90$  V
2. For designs with  $P_o \leq 5$  W, a two-layer primary must be used to ensure adequate primary intra-winding capacitance in the range of 25 pF to 50 pF. A bias winding must be added to the transformer using a standard recovery rectifier diode (1N4003 – 1N4007) to act as a clamp. This bias winding may also be used to externally power the device by connecting a resistor from the bias winding capacitor to the BYPASS pin. This inhibits the internal high-voltage current source, reducing device dissipation and no-load consumption.
3. For designs with  $P_o > 5$  W, clamless designs are not practical and an external clamp should be used.
4. Ensure that worst-case, high line, peak drain voltage is below the  $BV_{DSS}$  specification of the internal MOSFET and ideally  $\leq 650$  V to allow margin for design variation. The capacitance of the transformer is much more critical in a clamless design. Therefore ensure that testing is performed with transformers at the minimum of the capacitance (or resonant frequency) specification.

$V_{OR}$  (Reflected Output Voltage), is the secondary output plus output diode forward voltage drop that is reflected to the primary via the turns ratio of the transformer during the diode conduction time. The  $V_{OR}$  adds to the DC bus voltage and the leakage spike to determine the peak drain voltage.

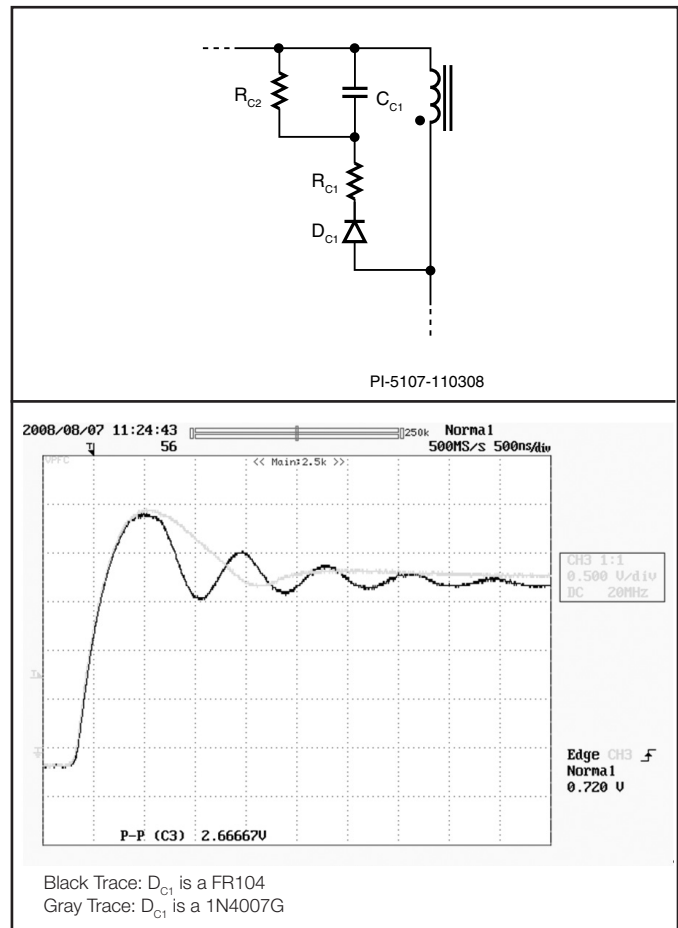


Figure 15. Effect of Clamp Diode Recovery Time of Feedback Pin Voltage.

**Example Transformer Winding Arrangement Including E-Shields™**

Once the PIXIs spreadsheet design is complete all the necessary information is available to create a transformer design. In this section some practical tips are presented on winding order and the inclusion of Power Integrations proprietary E-Shield

techniques. Shield windings improve conducted EMI performance and simplify the input filter stage by eliminating the need for a common mode choke and reducing the value of or eliminating the Y-class capacitor connected between the primary and secondary. Refer to Figures 16 and 17 to reference winding numbers (WDx).

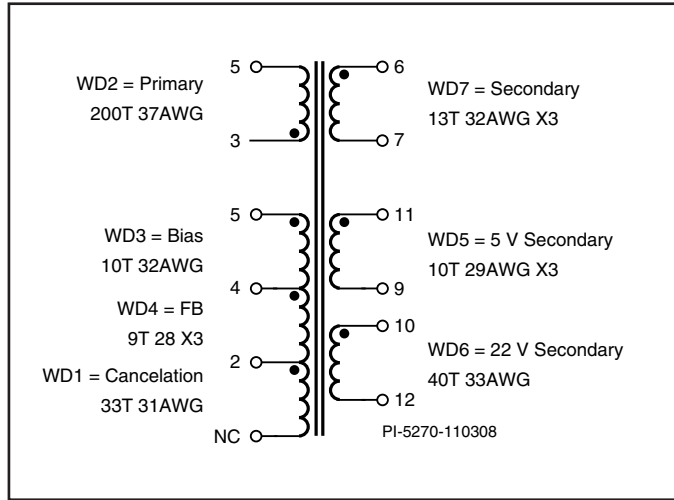


Figure 16. Typical Transformer Electrical Schematic.

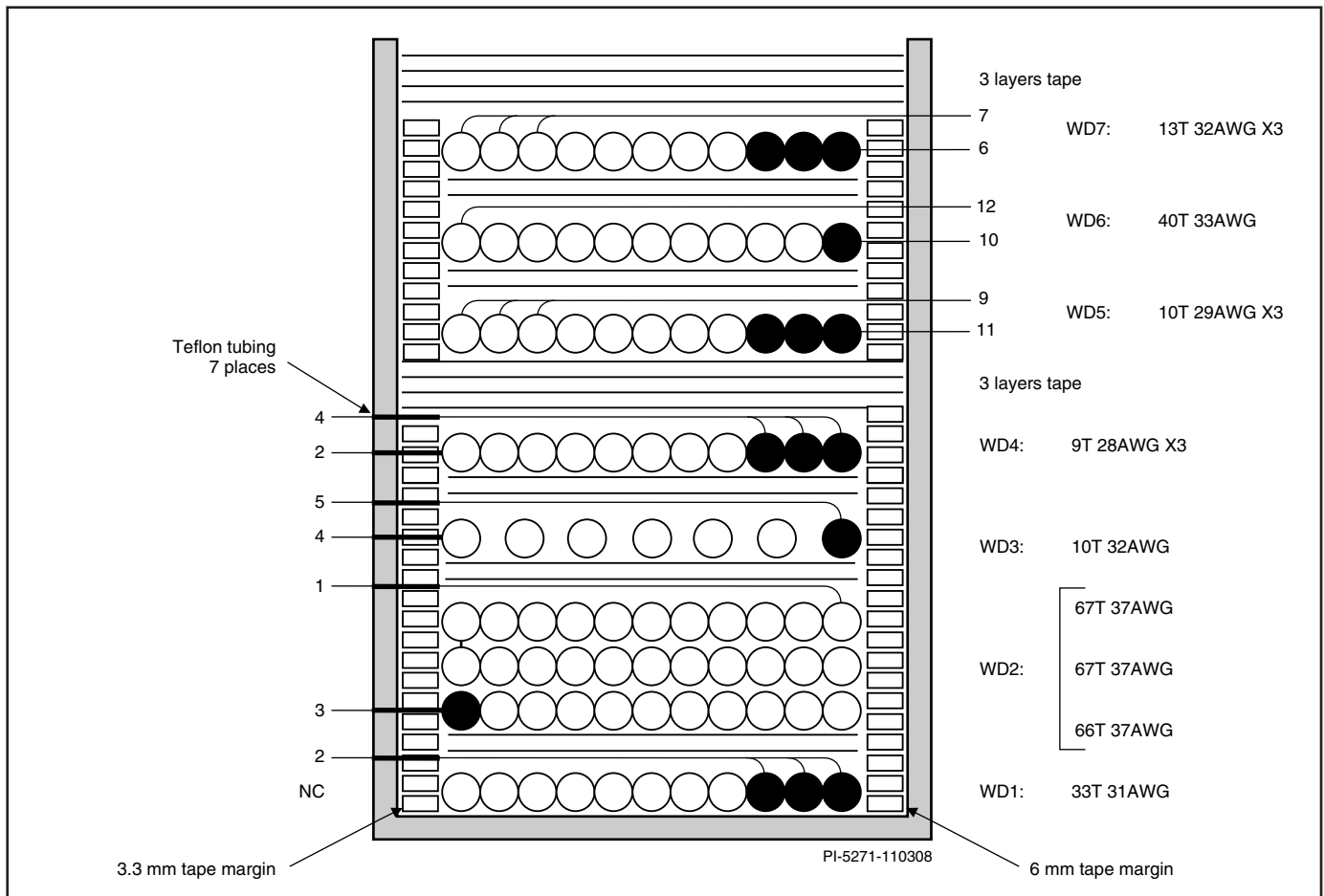


Figure 17. Typical Mechanical Construction of LinkSwitch-CV Transformer.

**Core Cancellation Winding**

The first layer is the Core Cancellation winding (WD1). The number of turns can be found by taking the primary turns  $N_p$  [D71] from PIXIs and divide by the number of layers L [E36]. Divide the result by 2 ( $N_{SHIELD} = 1/2 * (N_p/L)$ ). This gives a starting value and may need to be adjusted to optimize the conducted EMI emissions. Note that the start (black dot) of the Shield winding is on the opposite side of the bobbin from the start of the primary winding. The finish end of the Shield winding is floating. Use a gauge wire that will completely fill the bobbin width.

**Primary Winding**

The second winding (WD2) is the primary. From PIXIs find the number of turns  $N_p$  [D71], number of layers L [E36] and the wire gauge AWG [D82]. As shown in figure 17, the start of the primary is on the opposite side of the bobbin from the Shield's start.

**Bias Winding (optional)**

The bias winding is the third winding (WD3). This winding is spread evenly across the bobbin width. Since this winding does not provide shielding, it is not required to fill the layer without gaps. The number of turns  $N_b$  are calculated in cell [D56].

**Feedback Winding**

The feedback winding is the fourth winding (WD4) on the bobbin. From PIXIs find the number of turns  $N_{FB}$  [D44]. To help reduce conducted EMI emissions, this winding must cover the complete bobbin width. Usually a multi-filar winding is used to completely cover the bobbin width.

**Secondary Winding**

The secondary windings begin on layer 5. The main output (highest output power) should be placed on this layer. This layer should fill the bobbin width.

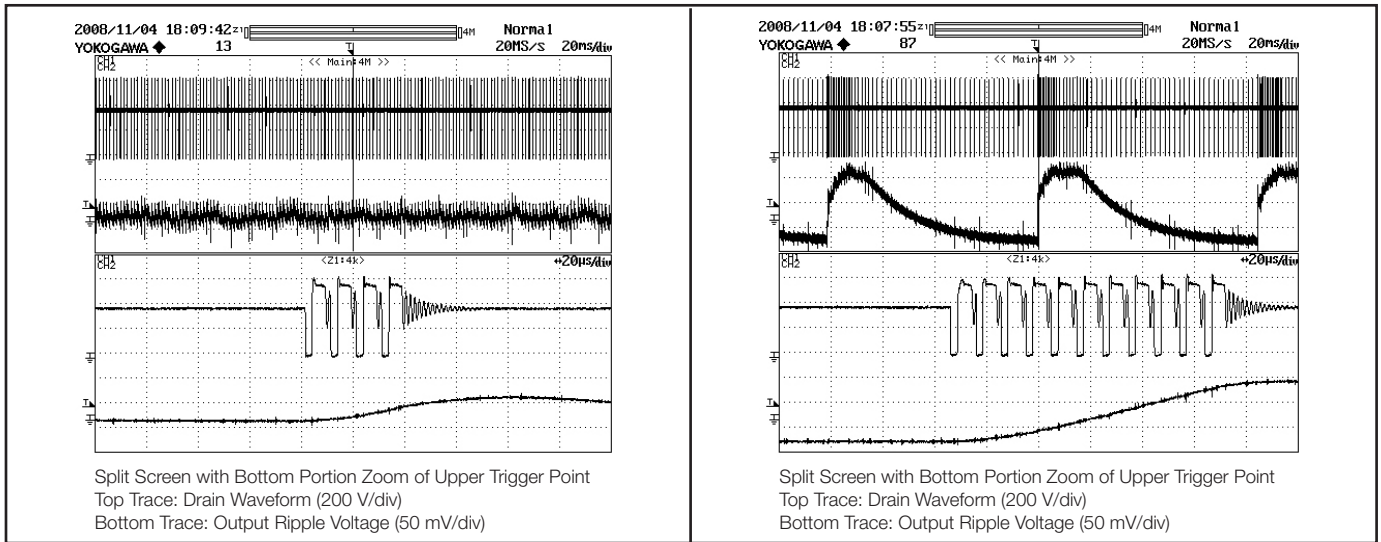


Figure 18. Not Pulse Grouping (<5 Consecutive Switching Cycles).

Pulse Grouping (>5 Consecutive Switching Cycles).

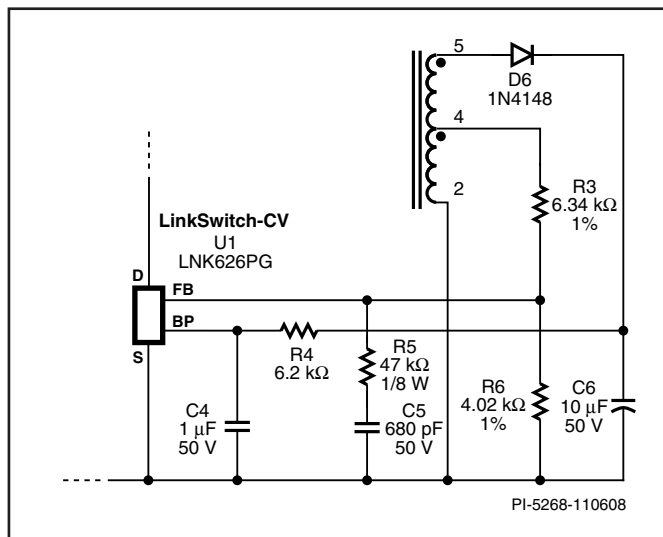


Figure 19. RC Network Across  $R_{BOTTOM}$  to Reduce Pulse Grouping.



**Additional Secondary Windings**

Any additional output windings are added after the main output winding.

**Tips for Designs**

**Pulse Grouping**

Pulse grouping is defined as 6 or more consecutive pulses followed by two or more timing state changes. The effect of pulse grouping is increased output voltage ripple. This is shown on the right of Figure 18 where pulse grouping has caused an increase in the output ripple.

To eliminate group pulsing verify that the feedback signal settles within 2.1  $\mu$ s from the turn off of the internal MOSFET. A Zener diode in the clamp circuit may be needed to achieve the desired settling time. If the settling time is unsatisfactory, then a RC network across  $R_{LOWER}$  (R6) of the feedback resistor is necessary.

The value of R (R5 in Figure 19) should be an order of magnitude greater than  $R_{LOWER}$  and selected such that  $R \times C = 32 \mu$ s where C is C5 in Figure 19 .

**Design Recommendations**

**Circuit Board Layout**

LinkSwitch-CV is a highly integrated power supply solution that integrates on a single die, both, the controller and the high voltage MOSFET. The presence of high switching currents and

voltages together with analog signals makes it especially important to follow good PCB design practice to ensure stable and trouble free operation of the power supply.

When designing a board for the LinkSwitch-CV based power supply, it is important to follow the following guidelines:

**Primary-Side Connections**

- Use a single point (Kelvin) connection at the negative terminal of the input filter capacitor for the LinkSwitch-CV SOURCE pin and bias winding return. This improves surge capabilities by returning surge currents from the bias winding directly to the input filter capacitor.
- The BYPASS pin capacitor should be located as close as possible to the SOURCE and BYPASS pins.
- The copper area connected to the source pins provide the LinkSwitch-CV heat sink. A rule of thumb estimate is that the LinkSwitch-CV will dissipate 10% of the output power. Provide enough copper area to keep the source pin temperature below 110 °C.

**Secondary**

- To minimize leakage inductance and EMI the area of the loop connecting the secondary winding, the output diode and the output filter capacitor should be minimized. In addition, sufficient copper area should be provided at the anode and cathode terminal of the diode for heat sinking. A larger area is preferred at the quiet cathode terminal. A large anode area can increase high frequency radiated EMI.

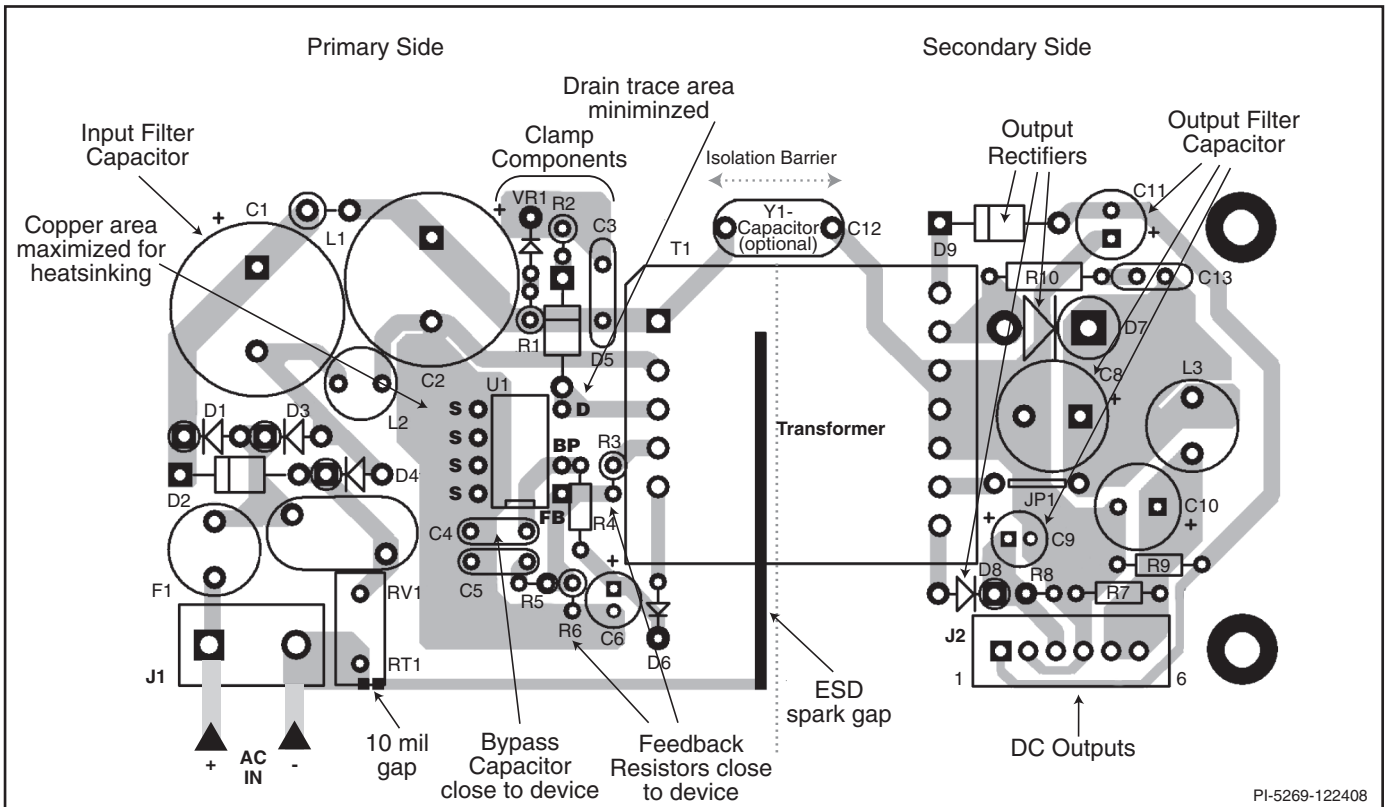


Figure 20. PCB Layout Example of a Three Output Power Supply.

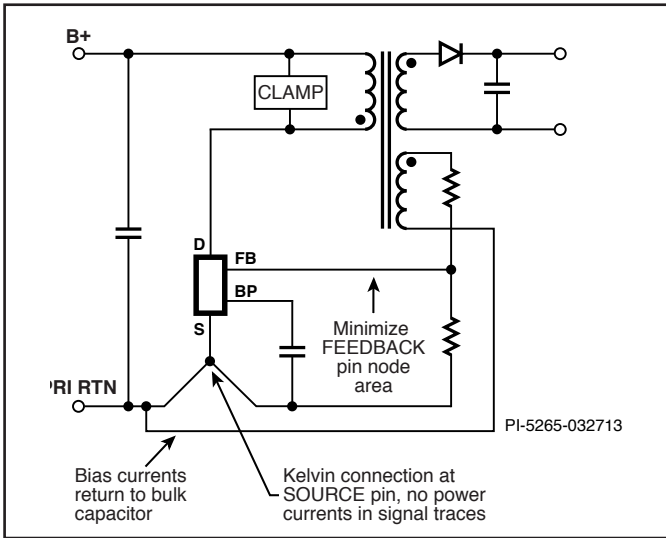


Figure 21. Schematic Representation of Recommended Layout without External Bias.

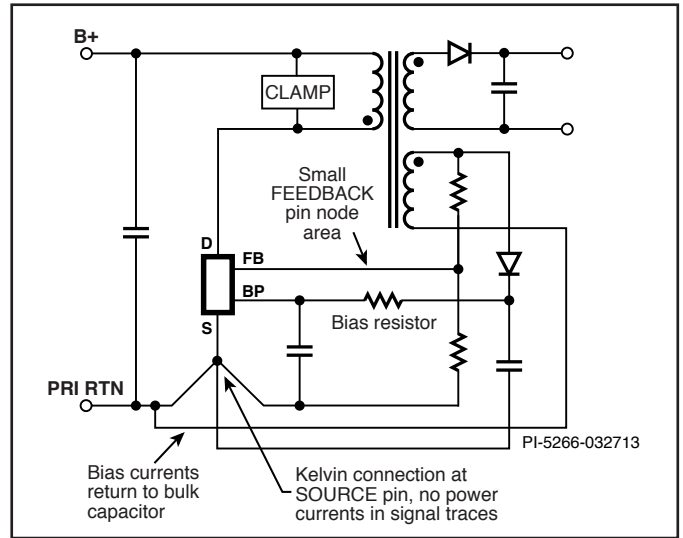


Figure 22. Schematic Representation of Recommended Layout with External Bias.

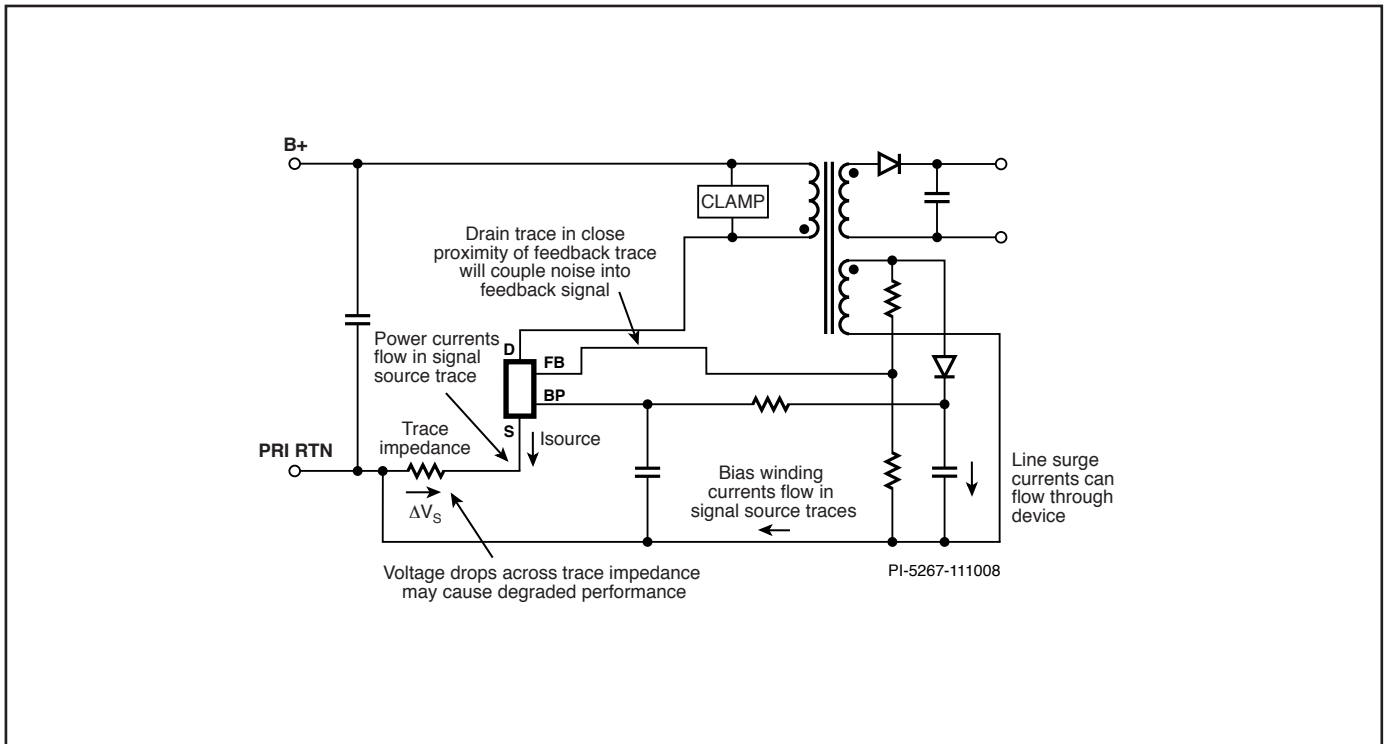


Figure 23. Schematic Representation of Electrical Impact Due to Improper Layout.

- A spark gap is formed by a PCB trace placed under the transformer along the isolation barrier between primary and secondary sides of the layout. During ESD testing any arcing across the isolation barrier will preferentially occur between this trace and the secondary. This safely directs the arc discharge current to the AC input. A small additional gap is placed in this trace near the AC input. The gap electrically isolates the primary side connected trace from the AC and prevents any noise coupling into the AC input but forms a second low breakdown voltage spark gap during ESD testing.

### Drain Clamp

LinkSwitch-CV senses the feedback winding on the primary side to regulate the output. It is important to note that the leakage inductance ring can affect the output regulation. A proper drain clamp is needed to eliminate the high frequency ring. Figure 24 shows the desired waveform. Notice in Figure 25 the negative excursion due to the leakage inductance ring. This spike will reduce the output voltage regulation performance and can be improved by adjusting the damping resistor in series with the clamp diode ( $R_{C1}$  in Figure 14).

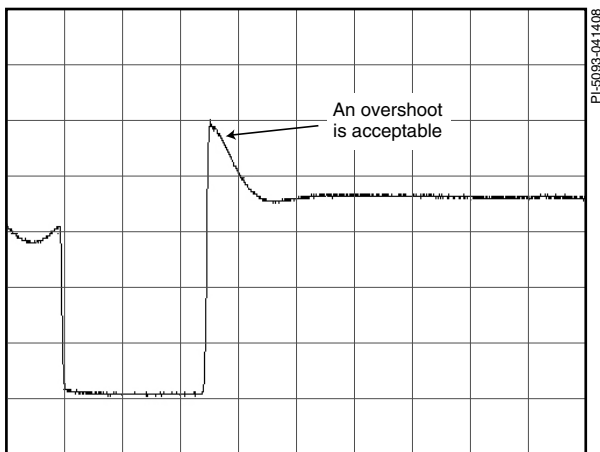


Figure 24. Desired Drain Waveform.

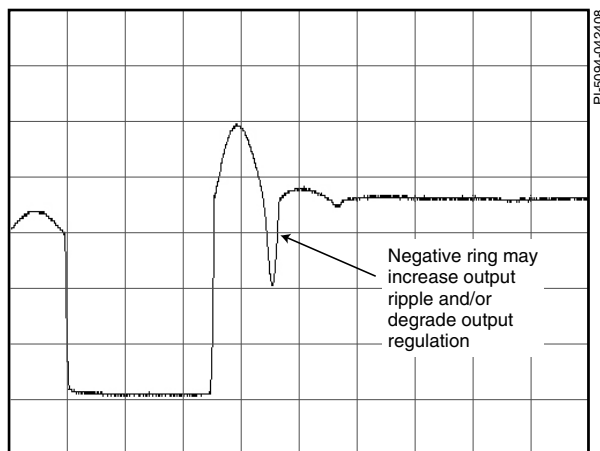


Figure 25. Undesirable Drain Waveform.

### Quick Design Checklist

As with any power supply design, all LinkSwitch-CV designs should be verified on the bench to make sure that component specifications are not exceeded under worst-case conditions. The following minimum set of tests is strongly recommended:

1. Maximum drain voltage – Verify that peak  $V_{DS}$  does not exceed 680 V at highest input voltage and maximum output power.
2. Maximum drain current – At maximum ambient temperature, maximum input voltage and maximum output load, verify drain current waveforms at start-up for any signs of transformer saturation and excessive leading edge current spikes. LinkSwitch-CV has a leading edge blanking time of 170 ns to prevent premature termination of the ON-cycle. Verify that the leading edge current spike is below the allowed current limit envelope for the drain current waveform at the end of the 170 ns blanking period.
3. Thermal check – At maximum output power, both minimum and maximum input voltage and maximum ambient temperature; verify that temperature specifications are not exceeded for LinkSwitch-CV, transformer, output diodes and output capacitors. Enough thermal margin should be allowed for the part-to-part variation of the  $R_{DS(ON)}$  of LinkSwitch-CV, as specified in the data sheet. The maximum source pin temperature is 110 °C.

---

Notes

Revision	Notes	Date
A	Initial Release.	11/08
B	Revised Figure 20.	01/09
B	Updated Figures 21 and 22.	03/27/13
C	Updated with new PI style.	12/17

### For the latest updates, visit our website: [www.power.com](http://www.power.com)

Power Integrations reserves the right to make changes to its products at any time to improve reliability or manufacturability. Power Integrations does not assume any liability arising from the use of any device or circuit described herein. POWER INTEGRATIONS MAKES NO WARRANTY HEREIN AND SPECIFICALLY DISCLAIMS ALL WARRANTIES INCLUDING, WITHOUT LIMITATION, THE IMPLIED WARRANTIES OF MERCHANTABILITY, FITNESS FOR A PARTICULAR PURPOSE, AND NON-INFRINGEMENT OF THIRD PARTY RIGHTS.

### Patent Information

The products and applications illustrated herein (including transformer construction and circuits external to the products) may be covered by one or more U.S. and foreign patents, or potentially by pending U.S. and foreign patent applications assigned to Power Integrations. A complete list of Power Integrations patents may be found at [www.power.com](http://www.power.com). Power Integrations grants its customers a license under certain patent rights as set forth at <http://www.power.com/ip.htm>.

### Life Support Policy

POWER INTEGRATIONS PRODUCTS ARE NOT AUTHORIZED FOR USE AS CRITICAL COMPONENTS IN LIFE SUPPORT DEVICES OR SYSTEMS WITHOUT THE EXPRESS WRITTEN APPROVAL OF THE PRESIDENT OF POWER INTEGRATIONS. As used herein:

1. A Life support device or system is one which, (i) is intended for surgical implant into the body, or (ii) supports or sustains life, and (iii) whose failure to perform, when properly used in accordance with instructions for use, can be reasonably expected to result in significant injury or death to the user.
2. A critical component is any component of a life support device or system whose failure to perform can be reasonably expected to cause the failure of the life support device or system, or to affect its safety or effectiveness.

The PI logo, TOPSwitch, TinySwitch, SENZero, SCALE, SCALE-iDriver, SCALE-iFlex, Qspeed, PeakSwitch, LYTSwitch, LinkZero, LinkSwitch, InnoSwitch, HiperTFS, HiperPFS, HiperLCS, DPA-Switch, CAPZero, Clampless, EcoSmart, E-Shield, Filterfuse, FluxLink, StakFET, PI Expert and PI FACTS are trademarks of Power Integrations, Inc. Other trademarks are property of their respective companies. ©2017, Power Integrations, Inc.

## Power Integrations Worldwide Sales Support Locations

### World Headquarters

5245 Hellyer Avenue  
San Jose, CA 95138, USA  
Main: +1-408-414-9200  
Customer Service:  
Worldwide: +1-65-635-64480  
Americas: +1-408-414-9621  
e-mail: [usasales@power.com](mailto:usasales@power.com)

### China (Shanghai)

Rm 2410, Charity Plaza, No. 88  
North Caoxi Road  
Shanghai, PRC 200030  
Phone: +86-21-6354-6323  
e-mail: [chinasales@power.com](mailto:chinasales@power.com)

### China (Shenzhen)

17/F, Hivac Building, No. 2, Keji Nan  
8th Road, Nanshan District,  
Shenzhen, China, 518057  
Phone: +86-755-8672-8689  
e-mail: [chinasales@power.com](mailto:chinasales@power.com)

### Germany (AC-DC/LED Sales)

Lindwurmstrasse 114  
D-80337 München  
Germany  
Phone: +49-89-5527-39100  
e-mail: [eurosales@power.com](mailto:eurosales@power.com)

### Germany (Gate Driver Sales)

HellwegForum 1  
59469 Ense  
Germany  
Tel: +49-2938-64-39990  
e-mail: [igbt-driver.sales@power.com](mailto:igbt-driver.sales@power.com)

### India

#1, 14th Main Road  
Vasanthanagar  
Bangalore-560052 India  
Phone: +91-80-4113-8020  
e-mail: [indiasales@power.com](mailto:indiasales@power.com)

### Italy

Via Milanese 20, 3rd. Fl.  
20099 Sesto San Giovanni (MI) Italy  
Phone: +39-024-550-8701  
e-mail: [eurosales@power.com](mailto:eurosales@power.com)

### Japan

Yusen Shin-Yokohama 1-chome Bldg.  
1-7-9, Shin-Yokohama, Kohoku-ku  
Yokohama-shi, Kanagawa  
222-0033 Japan  
Phone: +81-45-471-1021  
e-mail: [japansales@power.com](mailto:japansales@power.com)

### Korea

RM 602, 6FL  
Korea City Air Terminal B/D, 159-6  
Samsung-Dong, Kangnam-Gu,  
Seoul, 135-728, Korea  
Phone: +82-2-2016-6610  
e-mail: [koreasales@power.com](mailto:koreasales@power.com)

### Singapore

51 Newton Road  
#19-01/05 Goldhill Plaza  
Singapore, 308900  
Phone: +65-6358-2160  
e-mail: [singaporesales@power.com](mailto:singaporesales@power.com)

### Taiwan

5F, No. 318, Nei Hu Rd., Sec. 1  
Nei Hu Dist.  
Taipei 11493, Taiwan R.O.C.  
Phone: +886-2-2659-4570  
e-mail: [taiwansales@power.com](mailto:taiwansales@power.com)

### UK

Building 5, Suite 21  
The Westbrook Centre  
Milton Road  
Cambridge  
CB4 1YG  
Phone: +44 (0) 7823-557484  
e-mail: [eurosales@power.com](mailto:eurosales@power.com)