

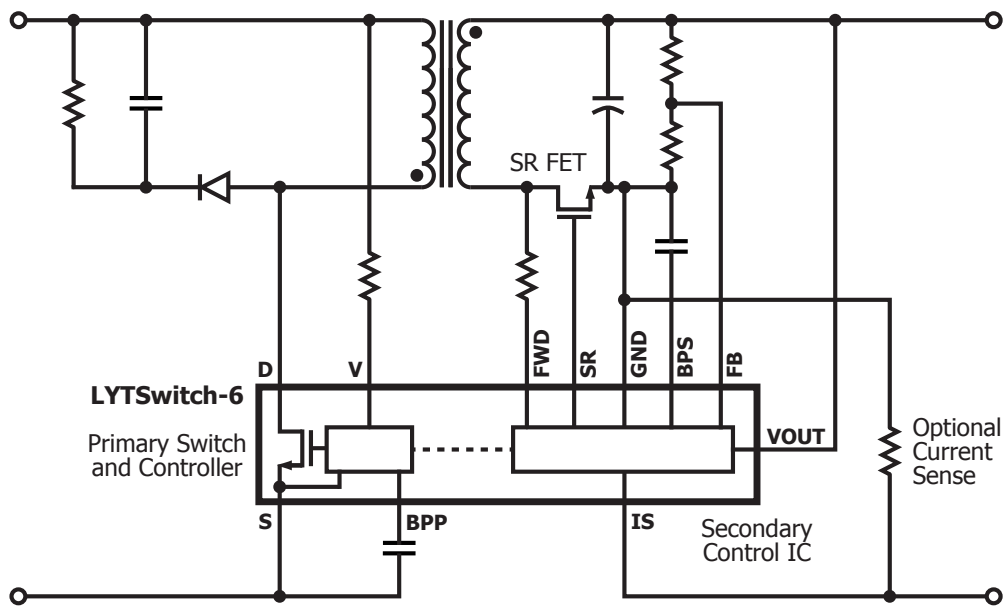
LYTSwitch™-6



Key Features

- 94% flyback stage system efficiency
- Delivers up to 110 W without heatsinks
- CV and CC output
- Accurate – better than $\pm 3\%$ CV/CC
- Lowest component count

Flyback CV / CC LED Driver IC with Integrated 650 V / 725 V MOSFET, 750 V PowiGaN™



PI-8375-112718

Applications

- Isolated off-line LED drivers
- Smart LED lighting
- High-voltage flyback post regulators

Output Power

Part Number	Primary Switch Voltage Rating $V_{DS(MAX)}$ (V)	Output Power (W)	
		85–305 VAC Wide Range	380–450 VDC PFC Input
LYT6063C	650	12	--
LYT6073C	725	12	25
LYT6065C	650	25	--
LYT6075C	725	25	40
LYT6067C	650	45	--
LYT6077C	725	45	60
LYT6068C	650	55	--
LYT6078C	750	65	90
LYT6079C	750	75	100
LYT6070C	750	85	110



InSOP-24D Package

Design Support

- Data Sheet LYTSwitch-6 data sheet (www.power.com/lytswitch-6-data-sheet)
- Reference Design 29 W high power factor, isolated flyback LED driver with 3-in-1 and DALI dimming (DER-740) (www.power.com/der-740)
- Reference Design 65 W 2-stage PFC boost and isolated flyback dimmable LED ballast (DER-920) (www.power.com/der-920)
- Reference Design 100 W 2-Stage Boost and Isolated Flyback Dimmable LED Ballast Using HiperPFS™-4 PFS7626C and LYTSwitch-6 GaN-based LYT6079C (DER-801) (www.power.com/der-801)