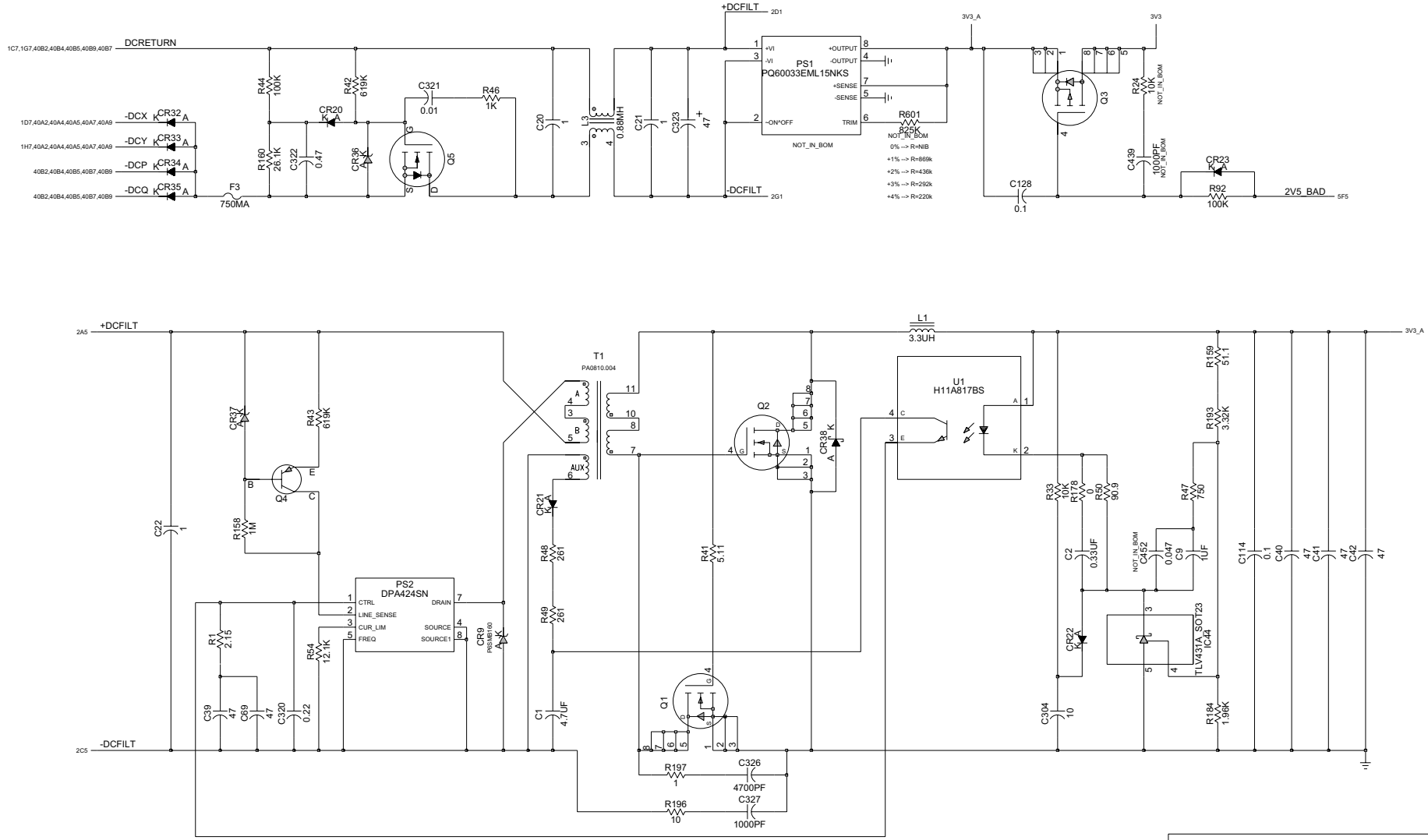


POWERING



AIMSYS - PROPRIETARY USE PURSUANT TO COMPANY INSTRUCTIONS		
MI-16/4 CIRCUIT MODULE	DWG SIZE C2	REV 3
AS0000226_AM4	SHEET B2	