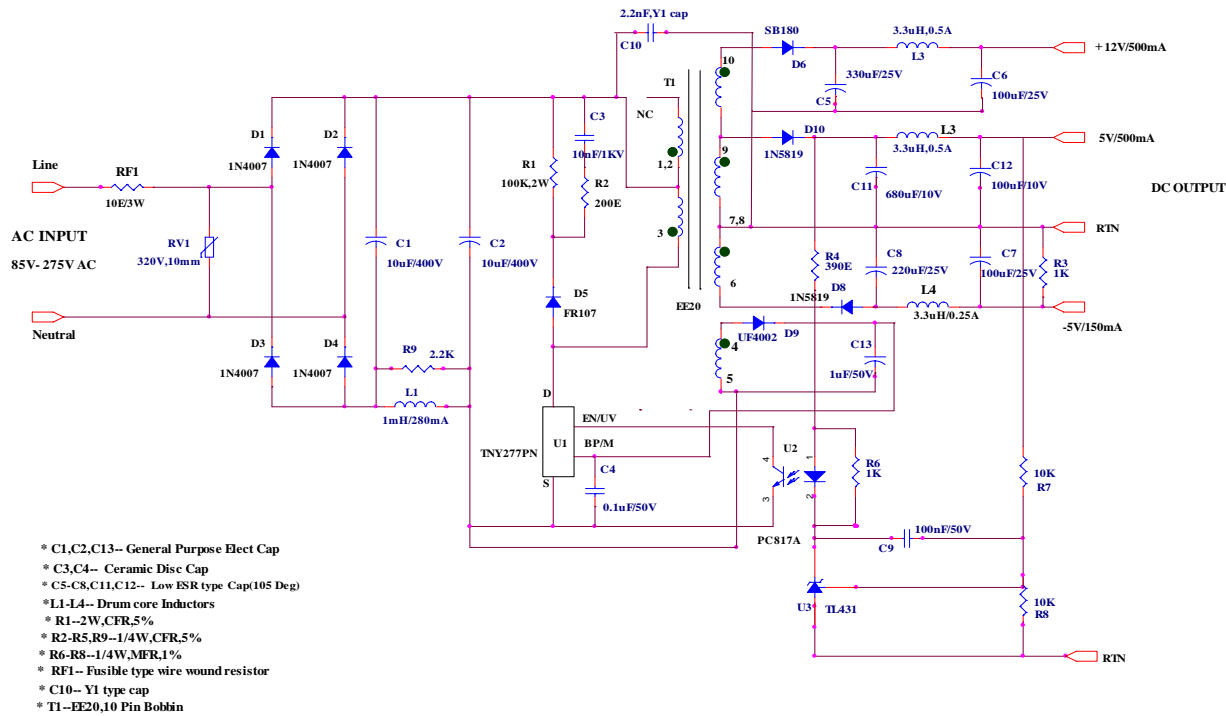


Spectra Innovations India Pvt Ltd,Bangalore-42.

Schematic diagram for 9.25W Power Supply using TNY277PN
 Cust Name: Heatcon Controls,Doc No:SII-EPDMK-115-0908



Spectra Innovations India Pvt Ltd,Bangalore-42		
Title: Heatcon Schematic Diagram for 9.25W PSU using TNY277PN		
Size	Document Number	Rev
B		
Date:	Thursday, September 11, 2008	Sheet 1 of 1