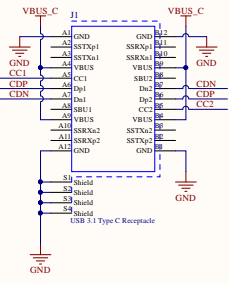
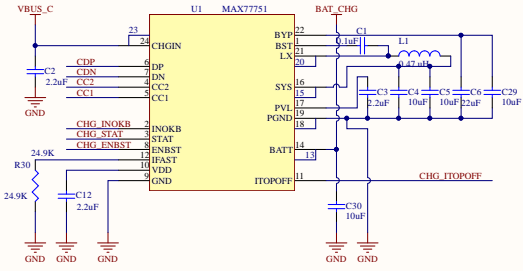


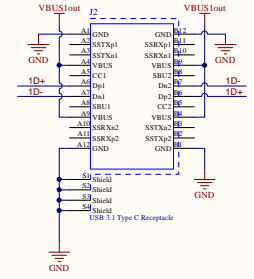
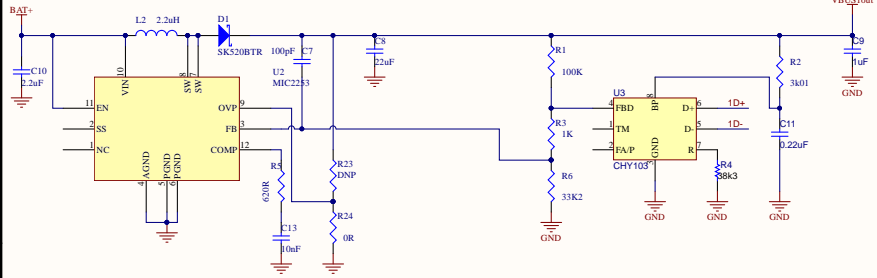
USB Type C connector



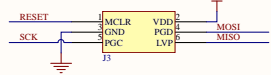
1s Battery Charger



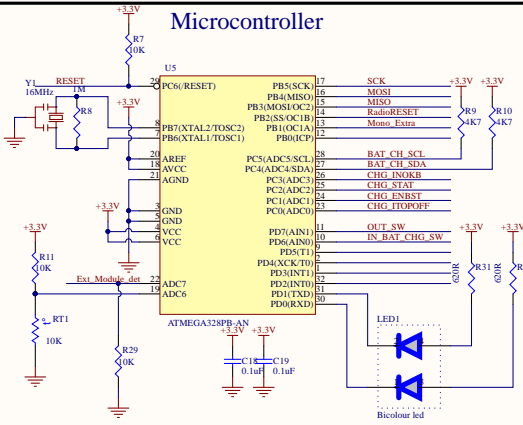
USB-A QC 3.0 Port 1



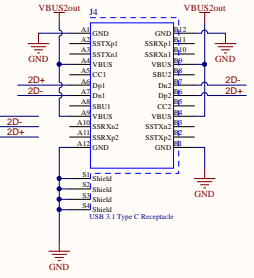
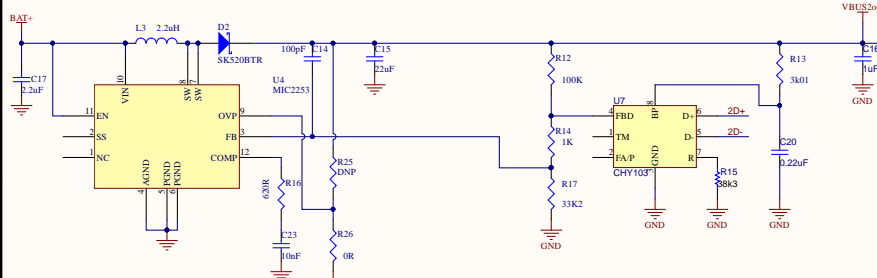
Programming Connector



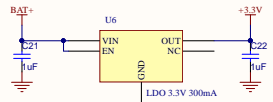
Microcontroller



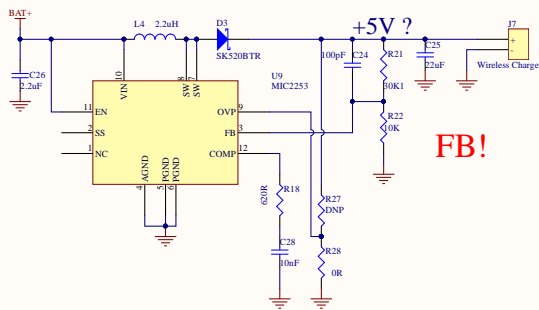
USB-A QC 3.0 Port 2



LDO



Wireless Charger Connector



2 x MOSFETs controlled by MCU, input and output

