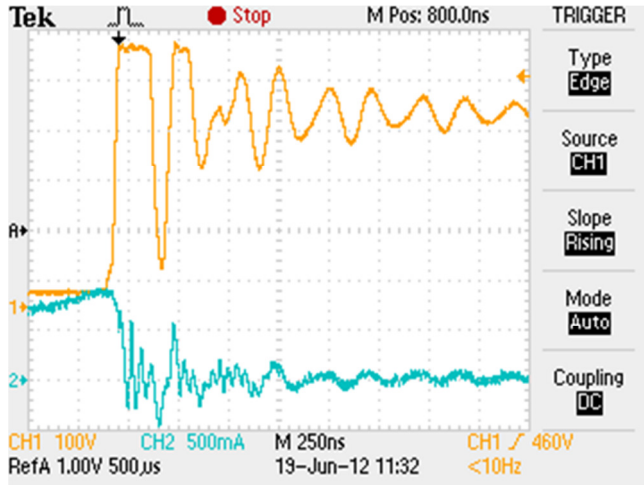
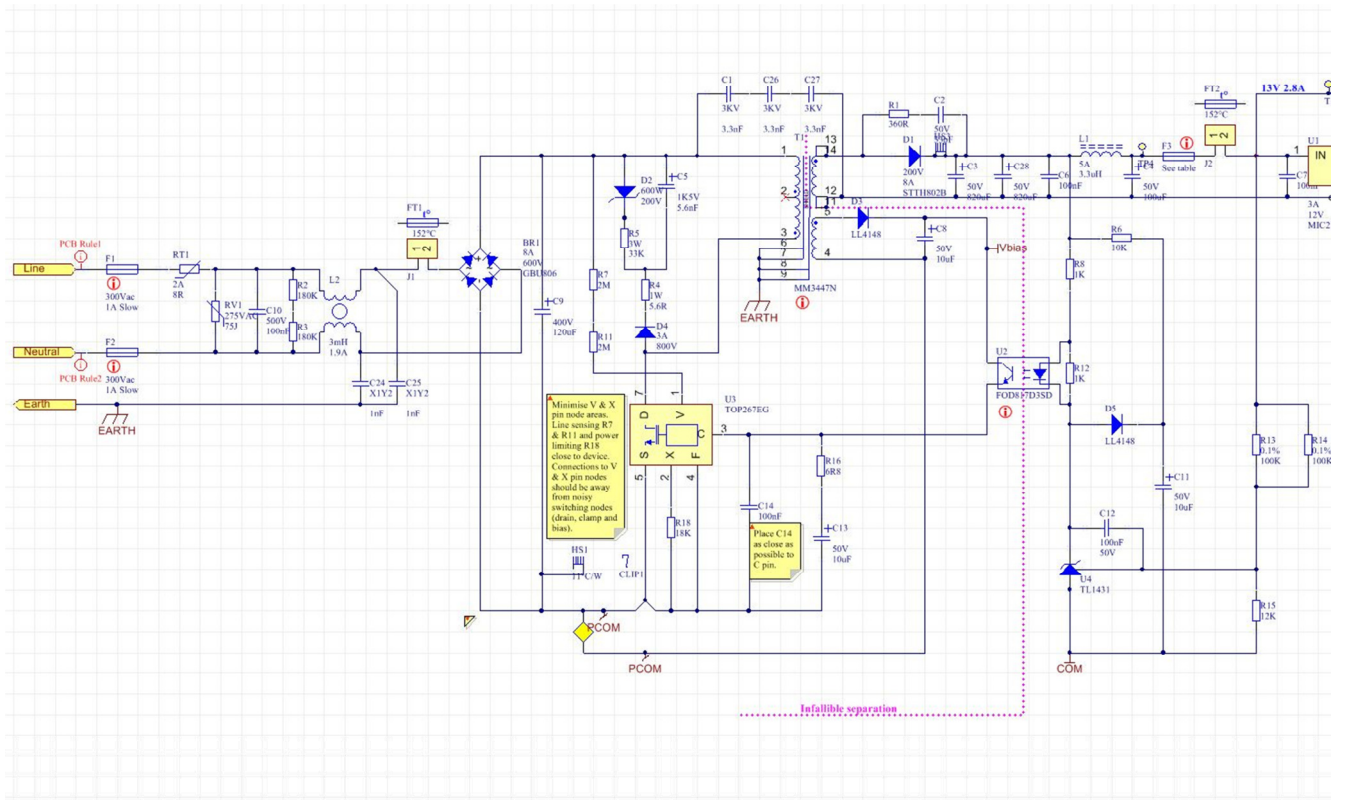


RCZD clamp circuit – Failed EMI



CLD snubber circuit - Start-up problem

