

6

5

4

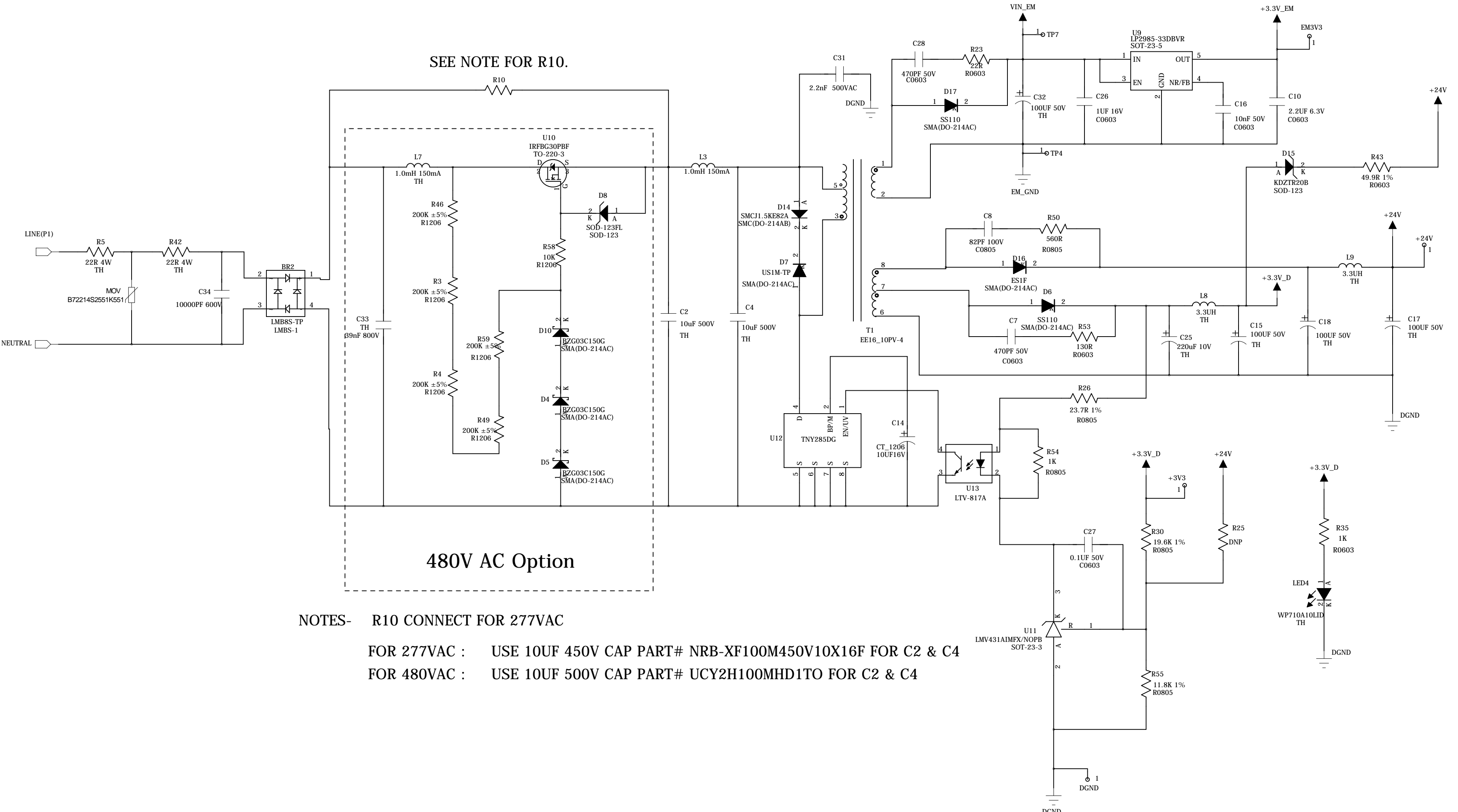
3

2

1

REVISION RECORD			
LTR	ECO NO:	APPROVED:	DATE:

SMPS



SEE NOTE FOR R10.

480V AC Option

NOTES- R10 CONNECT FOR 277VAC
 FOR 277VAC : USE 10UF 450V CAP PART# NRB-XF100M450V10X16F FOR C2 & C4
 FOR 480VAC : USE 10UF 500V CAP PART# UCY2H100MHD1TO FOR C2 & C4

COMPANY:			
TITLE: SMPS			
DRAWN: NIKUL	DATED: 03/23/2016	CODE: PSEM	SIZE: C
CHECKED: IRFAN	DATED: 4/30/2016	DRAWING NO: PSEM-01.01.01	REV:
QUALITY CONTROL: <QC By>	DATED: <QC Date>	SHEET: 1 of 3	
RELEASED: <Released By>	DATED: <Release Date>	SCALE: <Scale>	

D

D

C

C

B

B

A

A