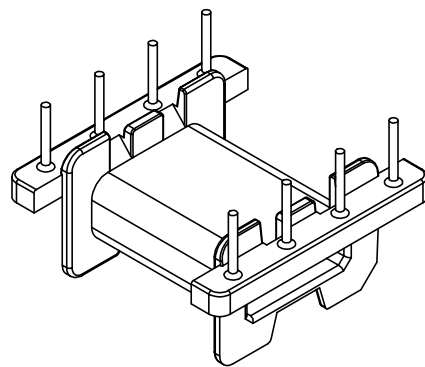
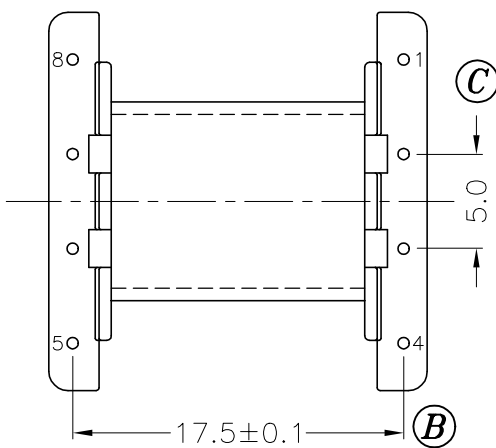
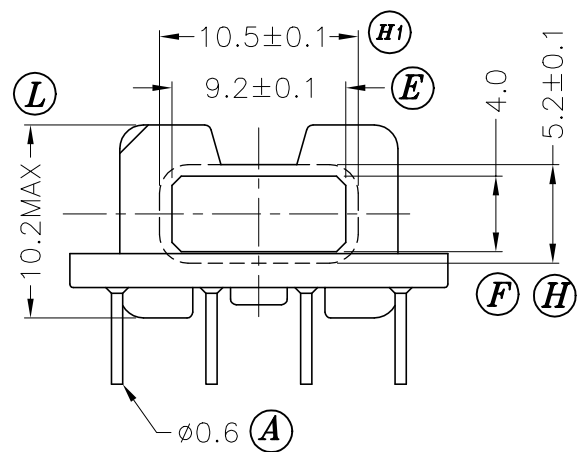
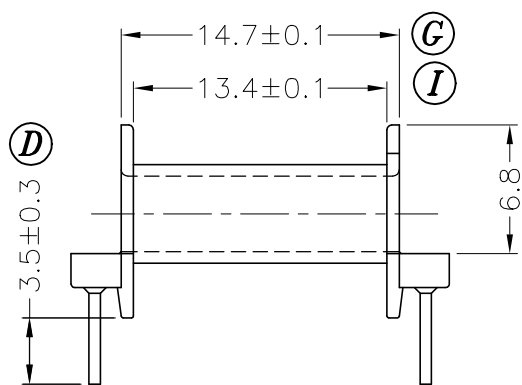
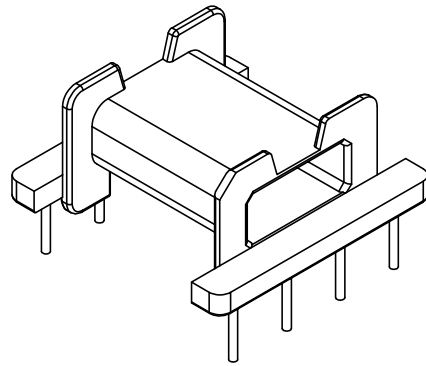
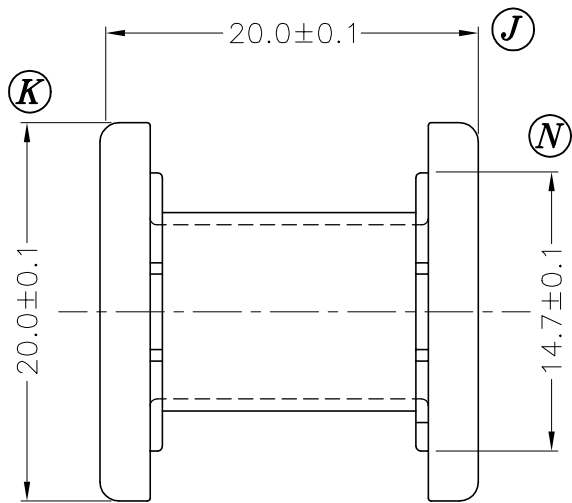


1997.10.22	△	20.0	20.2
1997.10.22	△	20.2	20.4
1997.08.14	△	20.0	20.2

1997.08.14	△	10.2	10.5	TOLERANCE: WHOLE±0.5 PIN PITCH±0.1 ROW PITCH±0.5	DECIMAL X±0.3 .XX±0.2	CHECK	吳文儀
1997.01.31	△	10.4 MAX	10.2			DRAWING	郭永揚
修改日期	修改部份	修改前尺寸	修改後尺寸	SHEET OF	REV.	A	
毅華企業股份有限公司 YIH-HWA ENTERPRISES CO.,LTD 中和市連城路 222巷4弄2號2樓				TEL	(02)2248-3366	MODEL	YW-272-03B
				FAX	(02)2240-6919	MATERIAL	PHENOLIC
				UNIT	m/m	SCALE	2 / 1
						DATE	1997.10.22



B-032.101P (B-032)

REV.	REVISIONS	REC.	REV.	REVISIONS	REC.
1	CANCEL (M),(P),(O); UPDATE DRAWING				

DRAWN & DRAFTED BY YAO ZHI GANG	TOLERANCES		ANGLE:	TITLE:	
	0<L≤4 ±0.1	pin pitch ±0.2	±1°	T-H BOBBIN EFD-20	
CHECKED & APPROVED BY JOHN RONG	4<L≤16 ±0.2		UNIT:	BOBBIN MATERIAL:	UL REC.
	16<L≤63 ±0.3	MM	PHENOLIC PM9630	UL 94V-0	
PIN SHINE INDUSTRIAL CO., LTD. TEL:886-2-22990545 FAX:886-2-22990546			ORIGIN:	PIN MATERIAL:	PIN TENSION LOAD:
			DG	CP WIRE	1.5KG MIN.
			DATE:	DRAWING NO.	REV.
			APR.07 '2003	P-2022	1